

ZGKUD208

Agricultural machinery bearings

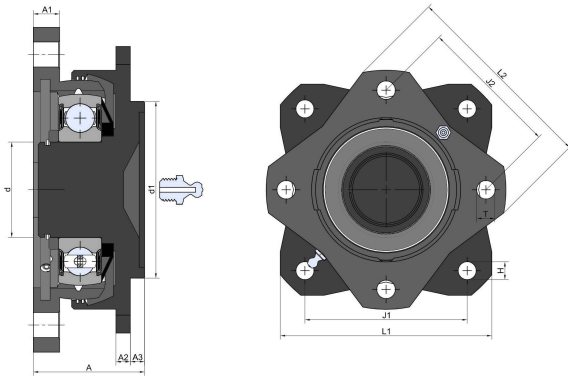
M43400467

PN 00140

M 43400467R

1800200039

技术信息



主要尺寸和性能参数

d1	40mm	Bore diameter
Da	74mm	Centering diameter
J1	80mm	Distance between the holes (top)
L1	112mm	Housing overall width (top)
J2	92mm	Distance between the holes (bottom)
L2	120mm	Housing overall width (bottom)
A	47mm	Overall unit width
A3	6mm	Centering diameter height
T	4xM12x1.25	Threaded hole size
≈m	2.3Kg	weight
Cor	32.5Kn	Radial dynamic load rating
Cr	19.8Kn	Radial static load rating
Pu	0.832Kn	Fatigue load limit
A1	11mm	Flange width

*数据表仅为所选产品的尺寸和基本额定载荷概览。请始终遵守本产品的所有更多信息和指南。您可通过我们网站上的联系表了解更多信息。

联系方式：邮箱：mr.suo@zrbearing.net

电话：0319-8509111

地址：河北省临西县城北环路北侧-中达轴承