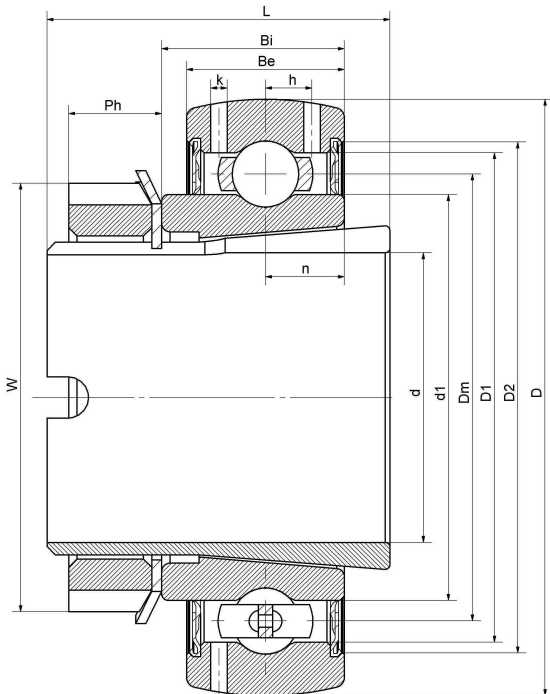


UH 217/70 2S.T

Agricultural machinery bearings

技术信息



主要尺寸和性能参数

d1	70mm	Bore diameter
D	150mm	Outside diameter
W	105mm	KM nut outside diameter
D2	112mm	MB Washer outside diameter
B	45mm	Width inner ring
B1	70mm	Width adapter sleeve
C	21mm	Width outer ring
L	15mm	KM nut width
E1	12mm	Distance from raceway center to the stopping pin
M	80x2	Thread adapter sleeve
P	5mm	Stop pin diameter
P1	2.8mm	Stop pin height
≈m	3.87Kg	weight
Cor	85Kn	Radial dynamic load rating
Cr	65Kn	Radial static load rating
Pu	2.73Kn	Fatigue load limit
E	12mm	Distance from raceway centre to the hole for lubrication

*数据表仅为所选产品的尺寸和基本额定载荷概览。请始终遵守本产品的所有更多信息和指南。您可通过我们网站上的联系表了解更多信息。