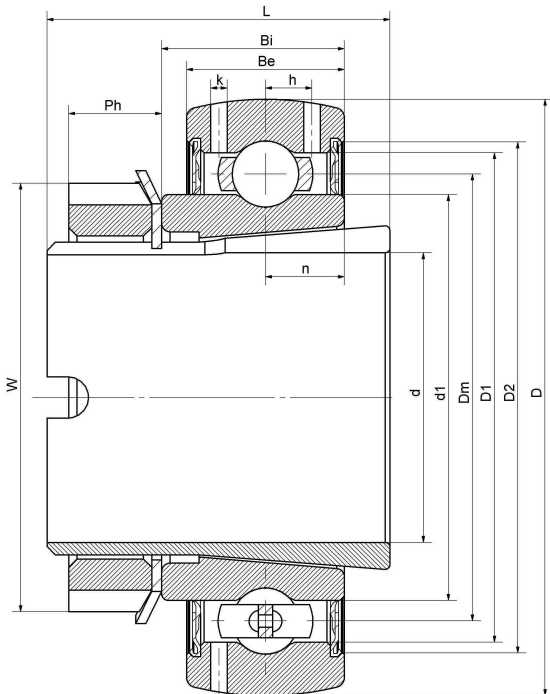


## UH 209/40 2S.H.T

Agricultural machinery bearings

### 技术信息



#### 主要尺寸和性能参数

d1	40mm	Bore diameter
D	85mm	Outside diameter
W	65mm	KM nut outside diameter
D2	69mm	MB Washer outside diameter
B	23mm	Width inner ring
B1	39mm	Width adapter sleeve
C	21mm	Width outer ring
L	10mm	KM nut width
E1	6.5mm	Distance from raceway center to the stopping pin
M	40x1.5	Thread adapter sleeve
P	3mm	Stop pin diameter
P1	2mm	Stop pin height
≈m	0.64Kg	weight
Cor	33.2Kn	Radial dynamic load rating
Cr	21.6Kn	Radial static load rating
Pu	0.915Kn	Fatigue load limit

\*数据表仅为所选产品的尺寸和基本额定载荷概览。请始终遵守本产品的所有更多信息和指南。您可通过我们网站上的联系表了解更多信息。