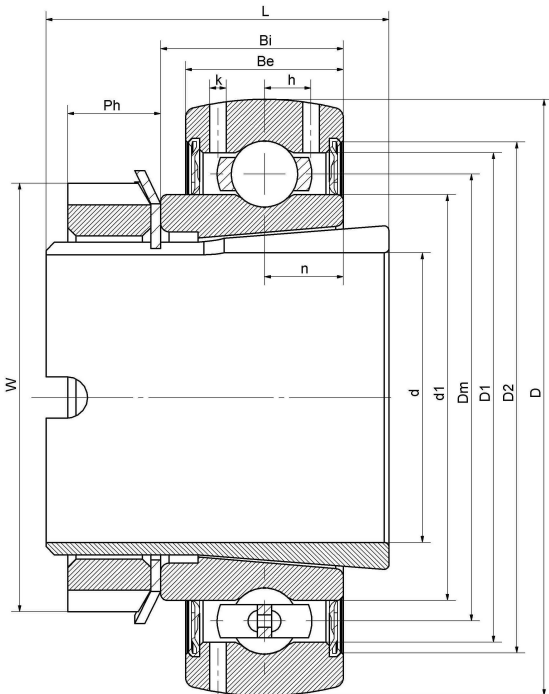


UH 207/30 2S.H.T

Agricultural machinery bearings

技术信息



主要尺寸和性能参数

d1	30mm	Bore diameter
D	72mm	Outside diameter
W	52mm	KM nut outside diameter
D2	57mm	MB Washer outside diameter
B	22mm	Width inner ring
B1	35mm	Width adapter sleeve
C	19mm	Width outer ring
L	8mm	KM nut width
E1	5.7mm	Distance from raceway center to the stopping pin
M	35x1.5	Thread adapter sleeve
P	3mm	Stop pin diameter
P1	2mm	Stop pin height
≈m	0.47Kg	weight
Cor	25.5Kn	Radial dynamic load rating
Cr	15.3Kn	Radial static load rating
Pu	0.655Kn	Fatigue load limit

*数据表仅为所选产品的尺寸和基本额定载荷概览。请始终遵守本产品的所有更多信息和指南。您可通过我们网站上的联系表了解更多信息。