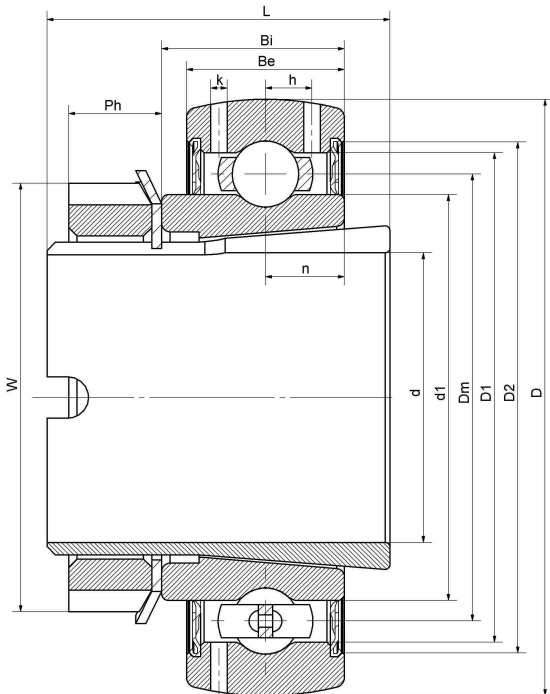


## UH 206/25 2S.H.T

Agricultural machinery bearings

### 技术信息



#### 主要尺寸和性能参数

d1	25mm	Bore diameter
D	62mm	Outside diameter
W	45mm	KM nut outside diameter
D2	49mm	MB Washer outside diameter
B	20mm	Width inner ring
B1	32mm	Width adapter sleeve
C	18mm	Width outer ring
L	7mm	KM nut width
E1	5mm	Distance from raceway center to the stopping pin
M	30x1.5	Thread adapter sleeve
P	3mm	Stop pin diameter
P1	2mm	Stop pin height
≈m	0.34Kg	weight
Cor	19.5Kn	Radial dynamic load rating
Cr	11.2Kn	Radial static load rating
Pu	0.475Kn	Fatigue load limit

\*数据表仅为所选产品的尺寸和基本额定载荷概览。请始终遵守本产品的所有更多信息和指南。您可通过我们网站上的联系表了解更多信息。