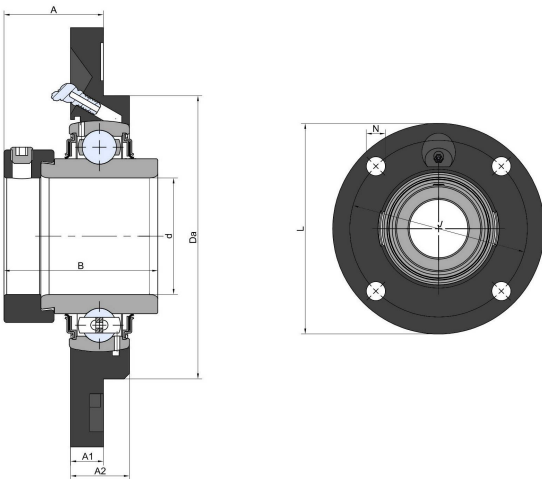


NAME308 2F

Agricultural machinery bearings

LYGS 308 2F

技术信息



主要尺寸和性能参数

d1	40mm	Bore diameter
Da	115mm	Centering diameter
L	194mm	Diameter of housings
A	41.9mm	Distance from the housing flange to the front of the inner ring of the bearing
A1	18mm	Housing flange thickness
H	27mm	Housing height
J	登录可见 尺寸, 去 登录	Pitch circle diameter
B	57.2mm	Width inner ring
≈m	3.721Kg	weight
Cor	41Kn	Radial dynamic load rating
Cr	24Kn	Radial static load rating
Pu	1.008Kn	Fatigue load limit

*数据表仅为所选产品的尺寸和基本额定载荷概览。请始终遵守本产品的所有更多信息和指南。您可通过我们网站上的联系表了解更多信息。