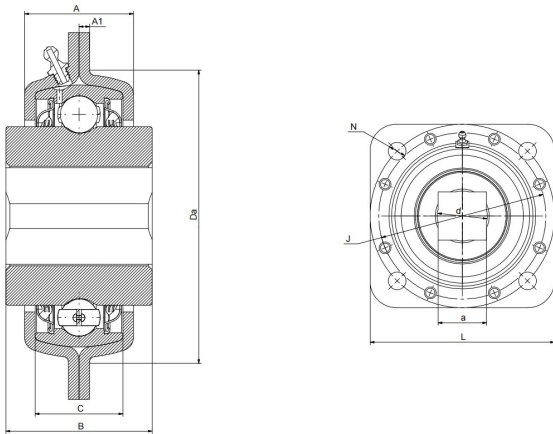




GWST 211PPBJ40

Agricultural machinery bearings

技术信息



主要尺寸和性能参数

d1	61.58mm	Bore diameter
B	45mm	Width inner ring
C	25mm	Width outer ring
Da	113mm	Centering diameter
L	140mm	Overall length
A	44.7mm	Distance from the housing flange to the front of the inner ring of the bearing
A1	4mm	Width of the top of the housing
J	登录可见尺寸, 去登录	Pitch circle diameter
N	13.5mm	Diameter of attachment slot
Fr	9.8Kn	Radial load
Fa	5.1Kn	Axial load
≈m	2.26Kg	weight
Cor	43.5Kn	Radial dynamic load rating
Cr	29Kn	Radial static load rating

*数据表仅为所选产品的尺寸和基本额定载荷概览。请始终遵守本产品的所有更多信息和指南。您可通过我们网站上的联系表了解更多信息。