

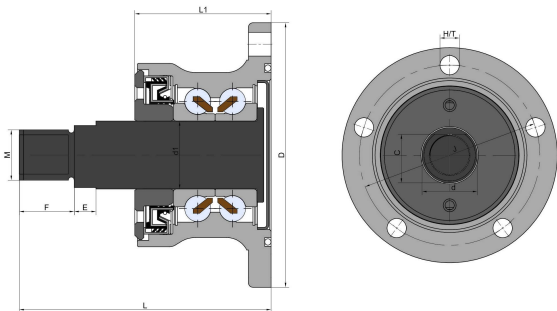


DY50-98/5T-M22

Agricultural machinery bearings

IL50-98/5T-M22

技术信息



主要尺寸和性能参数

| | | |
|-----|------------|--------------------------------|
| J | 登录可见尺寸，去登录 | Pitch circle diameter |
| D | 117mm | Outside diameter |
| H/T | 5xM12x1.25 | Hole/Thread |
| d1 | 27.95mm | Bore diameter |
| C | 25.4mm | D-shape hole cut out dimension |
| M | M22x1.5 | Outer Thread |
| L | 102mm | Total length |
| L1 | 60mm | Total flange length |
| E | 17mm | Length of D shape |
| F | 25mm | Length of threaded part |
| ≈m | 2.5kg | weight |
| Cor | 60kn | Radial dynamic load rating |
| Cr | 45.8kn | Radial static load rating |
| Pu | 1.92kn | Fatigue load limit |

*数据表仅为所选产品的尺寸和基本额定载荷概览。请始终遵守本产品的所有更多信息和指南。您可通过我们网站上的联系表了解更多信息。