



SB 202-10/V4/C12/G2--NPP

Insert spherical bearings, eccentric sleeve locked outer spherical bearings, three-layer sealed outer spherical bearings

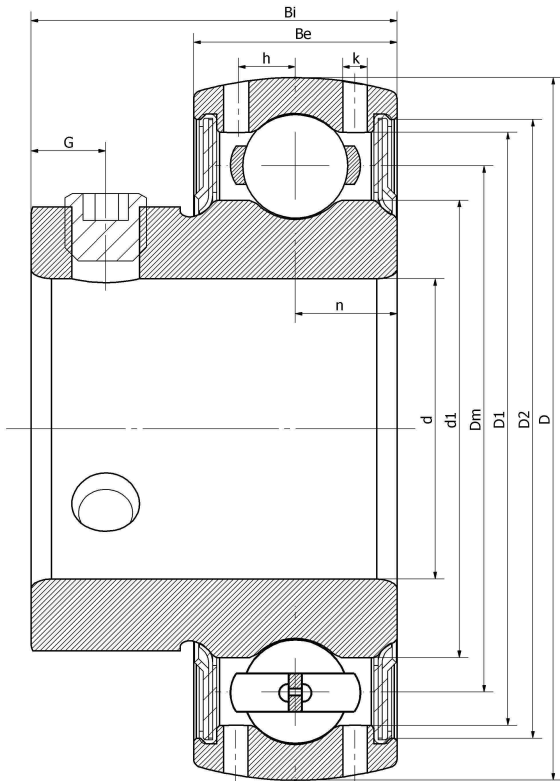
GAY010-NPP-B-AS2/V SB 202 - 10

UB 202 - 10 S

AS 202 - 010

FHS202 -10G

技术信息



主要尺寸和性能参数

| | | |
|-------|-------------|----------------------------|
| d | 15.875mm | Inside diameter |
| D | 40mm | Outside diameter |
| d1 | 登录可见尺寸, 去登录 | Outer diameter innering |
| d1 | 29mm | Center diameter |
| D1 | 登录可见尺寸, 去登录 | Outer ring inner diameter |
| D2 | 登录可见尺寸, 去登录 | Seal groove diameter |
| Be | 12mm | Outer ring height |
| h | 3.6mm | Oil hole distance |
| n | 6mm | channel distance |
| Bi | 22mm | Inner ring height |
| k | 1.2mm | Oil hole diameter |
| G | 4.5mm | Set screw hole distance |
| (UNF) | 10#-32 | Set screw specifications |
| Cr | 9510N | Radial static load rating |
| Cor | 4805N | Radial dynamic load rating |
| ≈m | 0.1KG | weight |

*数据表仅为所选产品的尺寸和基本额定载荷概览。请始终遵守本产品的所有更多信息和指南。您可通过我们网站上的联系表了解更多信息。