



### SB 203/V4/C12/G2--NPP

Insert spherical bearings, eccentric sleeve locked outer spherical bearings, three-layer sealed outer spherical bearings

GAY17-XL-NPP-B

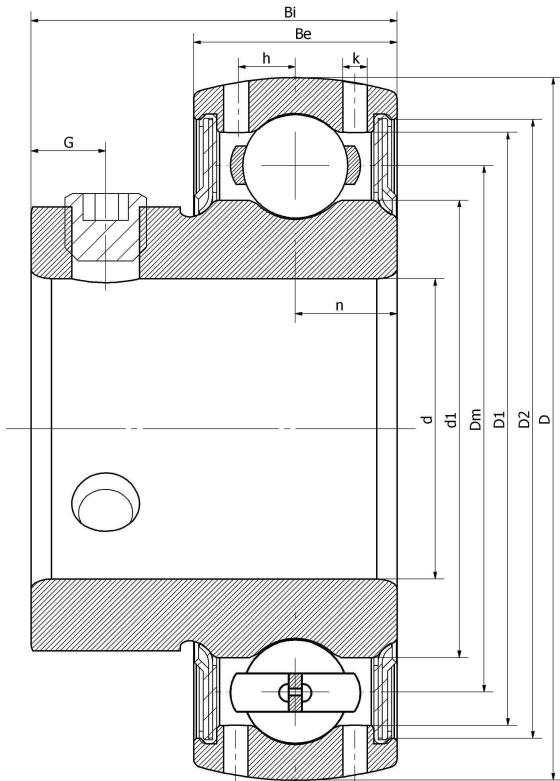
SB 203

UB 203

AS 203

FHS203 -17G

## 技术信息



### 主要尺寸和性能参数

|       |             |                            |
|-------|-------------|----------------------------|
| d     | 17mm        | Inside diameter            |
| D     | 40mm        | Outside diameter           |
| d1    | 登录可见尺寸, 去登录 | Outer diameter innering    |
| d1    | 29mm        | Center diameter            |
| D1    | 登录可见尺寸, 去登录 | Outer ring inner diameter  |
| D2    | 登录可见尺寸, 去登录 | Seal groove diameter       |
| Be    | 12mm        | Outer ring height          |
| h     | 3.6mm       | Oil hole distance          |
| n     | 6mm         | channel distance           |
| Bi    | 22mm        | Inner ring height          |
| k     | 1.2mm       | Oil hole diameter          |
| G     | 4.5mm       | Set screw hole distance    |
| (UNF) | M5*0.8      | Set screw specifications   |
| Cr    | 9510N       | Radial static load rating  |
| Cor   | 4805N       | Radial dynamic load rating |
| ≈m    | 0.1KG       | weight                     |

\*数据表仅为所选产品的尺寸和基本额定载荷概览。请始终遵守本产品的所有更多信息和指南。您可通过我们网站上的联系表了解更多信息。