

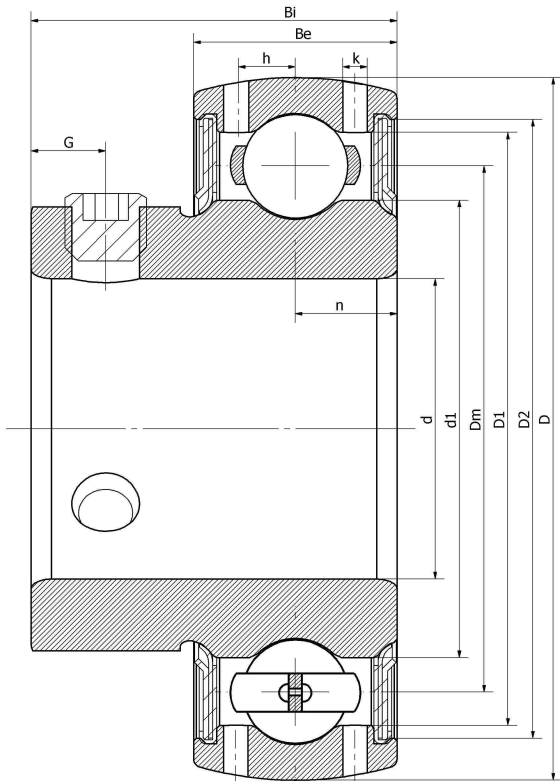


### SB 205-16/V4/C12/G2--NPP

Insert spherical bearings, eccentric sleeve locked outer spherical bearings, three-layer sealed outer spherical bearings

GAY100-NPP-B-AS2/V    GYA 100 RRB    SB 205 - 16  
 UB 205 - 16 S    AS 205 - 100    1225 - 1G  
 FHS205 -16G

## 技术信息



### 主要尺寸和性能参数

d	25.4mm	Inside diameter
D	52mm	Outside diameter
d1	登录可见尺寸, 去登录	Outer diameter innering
d1	39mm	Center diameter
D1	登录可见尺寸, 去登录	Outer ring inner diameter
D2	登录可见尺寸, 去登录	Seal groove diameter
Be	15mm	Outer ring height
h	4.4mm	Oil hole distance
n	7.5mm	channel distance
Bi	27mm	Inner ring height
k	1.5mm	Oil hole diameter
G	5mm	Set screw hole distance
(UNF)	1/4-28	Set screw specifications
Cr	14020N	Radial static load rating
Cor	7840N	Radial dynamic load rating
≈m	0.2KG	weight

\*数据表仅为所选产品的尺寸和基本额定载荷概览。请始终遵守本产品的所有更多信息和指南。您可通过我们网站上的联系表了解更多信息。