

Z&R®

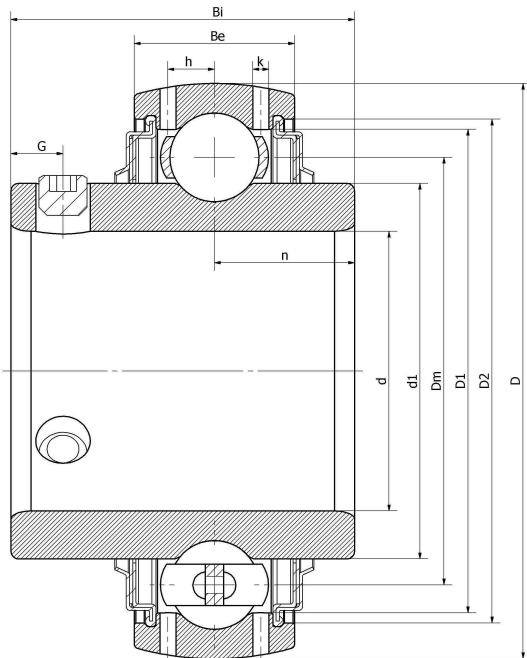


NA312-650/V3/ER--RB3

Insert spherical bearings, eccentric sleeve locked outer spherical bearings, three-layer sealed outer spherical bearings

G312-650 R3

技术信息



主要尺寸和性能参数

d	65mm	Inside diameter
D	130mm	Outside diameter
d1	登录可见尺寸, 去登录	Outer diameter innering
d1	95mm	Center diameter
D1	登录可见尺寸, 去登录	Outer ring inner diameter
D2	登录可见尺寸, 去登录	Seal groove diameter
W	89mm	Eccentric sleeve outer diameter
Be	36mm	Outer ring height
h	11.3mm	Oil hole distance
n	31mm	channel distance
Bi	64mm	Inner ring height
L	81.3mm	total height
G	8.5mm	Set screw hole distance
Ph	23.9mm	Eccentric sleeve height
(UNF)	3/8-24	Set screw specifications
Cr	71500N	Radial static load rating
Cor	44800N	Radial dynamic load rating
≈m	2.35Kg	weight

联系方式: 邮箱: mr.suo@zrbearing.net

电话: 0319-8509111

地址: 河北省临西县城北环路北侧-中达轴承