



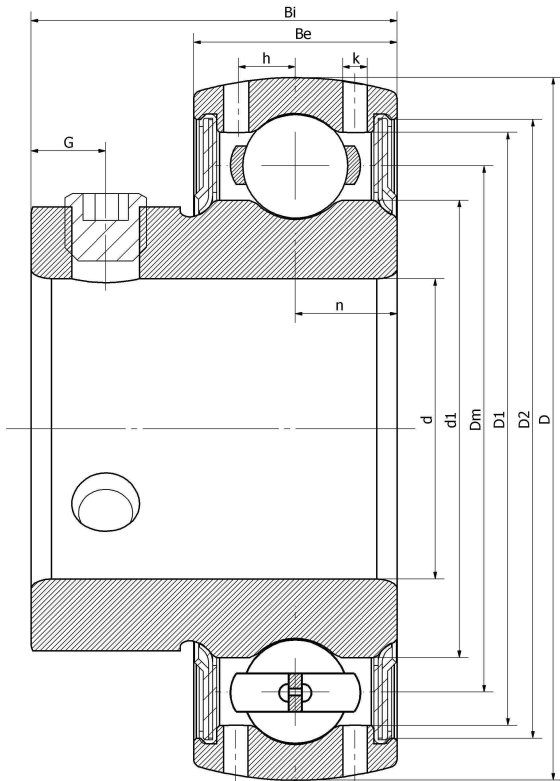
SB 207-21/V4/C12/G2--NPP

Insert spherical bearings, eccentric sleeve locked outer spherical bearings, three-layer sealed outer spherical bearings

UB 207 - 21 S

FHS207 -21G

技术信息



主要尺寸和性能参数

d	33.3375mm	Inside diameter
D	72mm	Outside diameter
d1	登录可见尺寸, 去登录	Outer diameter innering
d1	53.5mm	Center diameter
D1	登录可见尺寸, 去登录	Outer ring inner diameter
D2	登录可见尺寸, 去登录	Seal groove diameter
Be	19mm	Outer ring height
h	5.8mm	Oil hole distance
n	9.5mm	channel distance
Bi	34.9mm	Inner ring height
k	1.8mm	Oil hole diameter
G	7.5mm	Set screw hole distance
(UNF)	5/16-24	Set screw specifications
Cr	25890N	Radial static load rating
Cor	15200N	Radial dynamic load rating
≈m	0.4KG	weight

*数据表仅为所选产品的尺寸和基本额定载荷概览。请始终遵守本产品的所有更多信息和指南。您可通过我们网站上的联系表了解更多信息。