

Z&R®



NA314/V3/ER--RB3

Insert spherical bearings, eccentric sleeve locked outer spherical bearings, three-layer sealed outer spherical bearings

GNE70KRRB3

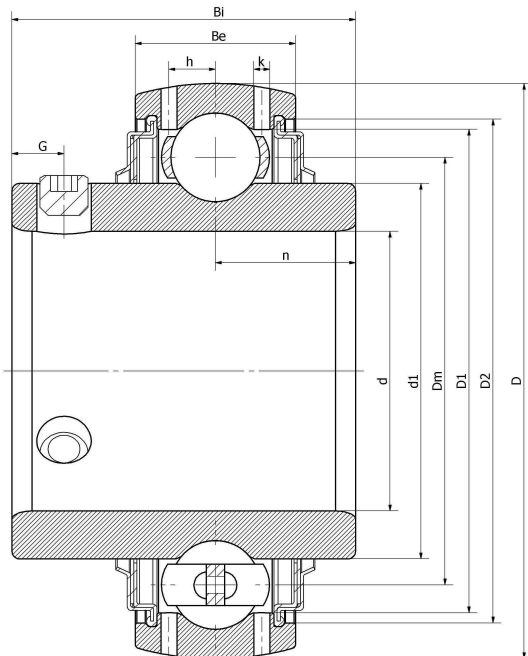
UEL314 L3

HC314 L3

G314 R3

EX314 L3

技术信息



主要尺寸和性能参数

d	70mm	Inside diameter
D	150mm	Outside diameter
d1	登录可见尺寸, 去登录	Outer diameter innering
d1	110mm	Center diameter
D1	登录可见尺寸, 去登录	Outer ring inner diameter
D2	登录可见尺寸, 去登录	Seal groove diameter
W	102mm	Eccentric sleeve outer diameter
Be	42mm	Outer ring height
h	13mm	Oil hole distance
n	34.1mm	channel distance
Bi	68.3mm	Inner ring height
L	91.9mm	total height
G	12mm	Set screw hole distance
Ph	30.2mm	Eccentric sleeve height
(UNF)	M12*1.25	Set screw specifications
Cr	104300N	Radial static load rating
Cor	68000N	Radial dynamic load rating
≈m	4.5Kg	weight

联系方式: 邮箱: mr.suo@zrbearing.net

电话: 0319-5628888

地址: 河北省临西县城北环路北侧-中达轴承