

Z&R



### NA315-47/V3/ER--RB3

Insert spherical bearings, eccentric sleeve locked outer spherical bearings, three-layer sealed outer spherical bearings

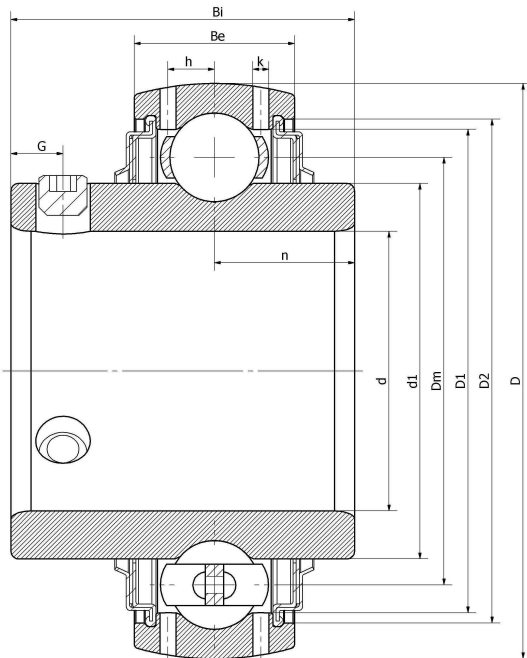
UEL315-47 L3

HC315-47 L3

G315-47 R3

EX315-47 L3

## 技术信息



### 主要尺寸和性能参数

d	74.61mm	Inside diameter
D	160mm	Outside diameter
d1	登录可见尺寸, 去登录	Outer diameter innering
d1	117.5mm	Center diameter
D1	登录可见尺寸, 去登录	Outer ring inner diameter
D2	登录可见尺寸, 去登录	Seal groove diameter
W	113mm	Eccentric sleeve outer diameter
Be	44mm	Outer ring height
h	13.5mm	Oil hole distance
n	37.3mm	channel distance
Bi	74.6mm	Inner ring height
L	99.8mm	total height
G	13mm	Set screw hole distance
Ph	31.8mm	Eccentric sleeve height
(UNF)	5/8-18	Set screw specifications
Cr	113400N	Radial static load rating
Cor	76880N	Radial dynamic load rating
≈m	5.6Kg	weight

联系方式: 邮箱: [mr.suo@zrbearing.net](mailto:mr.suo@zrbearing.net)

电话: 0319-8509111

地址: 河北省临西县城北环路北侧-中达轴承