

Z&R®



## UC220/V3/C12/G2--F

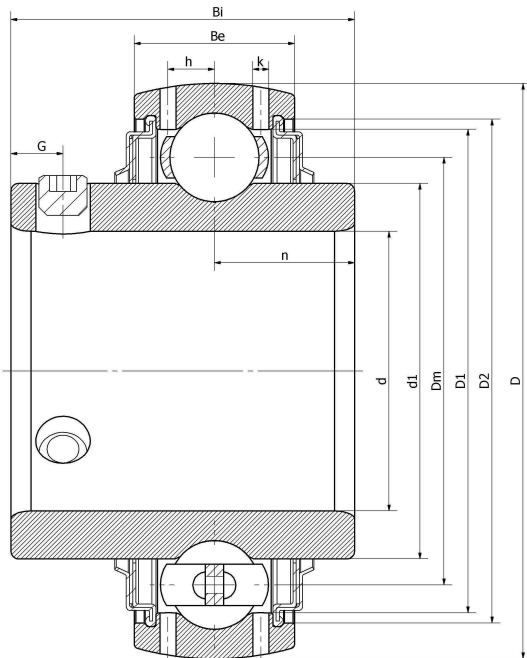
Insert bearings

UC220 D1

YAR 220-2F

LE 220 2F

## 技术信息



### 主要尺寸和性能参数

|       |             |                            |
|-------|-------------|----------------------------|
| d     | 100mm       | Inside diameter            |
| D     | 180mm       | Outside diameter           |
| d1    | 登录可见尺寸, 去登录 | Outer diameter innering    |
| d1    | 140mm       | Center diameter            |
| D1    | 登录可见尺寸, 去登录 | Outer ring inner diameter  |
| D2    | 登录可见尺寸, 去登录 | Seal groove diameter       |
| Be    | 40mm        | Outer ring height          |
| h     | 12.1mm      | Oil hole distance          |
| n     | 42mm        | channel distance           |
| Bi    | 108mm       | Inner ring height          |
| k     | 3mm         | Oil hole diameter          |
| G     | 16mm        | Set screw hole distance    |
| (UNF) | 5/8-18      | Set screw specifications   |
| Cr    | 107870N     | Radial static load rating  |
| Cor   | 78450N      | Radial dynamic load rating |
| ≈m    | 6.5KG       | weight                     |

\*数据表仅为所选产品的尺寸和基本额定载荷概览。请始终遵守本产品的所有更多信息和指南。您可通过我们网站上的联系表了解更多信息。