

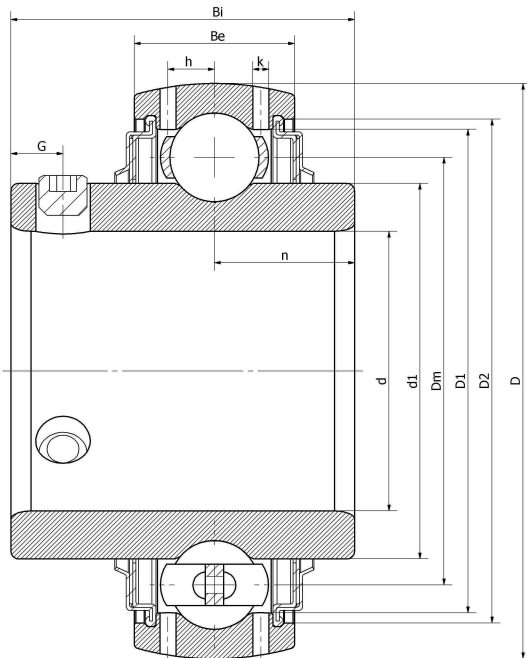
Z&R®



UC 311-34/V3/C12/G2--F

UC 311 - 202 D1

技术信息



主要尺寸和性能参数

| | | |
|-------|-------------|----------------------------|
| d | 53.975mm | Inside diameter |
| D | 120mm | Outside diameter |
| d1 | 登录可见尺寸, 去登录 | Outer diameter innering |
| d1 | 88.5mm | Center diameter |
| D1 | 登录可见尺寸, 去登录 | Outer ring inner diameter |
| D2 | 登录可见尺寸, 去登录 | Seal groove diameter |
| Be | 34mm | Outer ring height |
| h | 10.6mm | Oil hole distance |
| n | 25mm | channel distance |
| Bi | 66mm | Inner ring height |
| k | 2mm | Oil hole diameter |
| G | 12mm | Set screw hole distance |
| (UNF) | 7/16-20 | Set screw specifications |
| Cr | 61800N | Radial static load rating |
| Cor | 37800N | Radial dynamic load rating |
| ≈m | 1.95KG | weight |

*数据表仅为所选产品的尺寸和基本额定载荷概览。请始终遵守本产品的所有更多信息和指南。您可通过我们网站上的联系表了解更多信息。