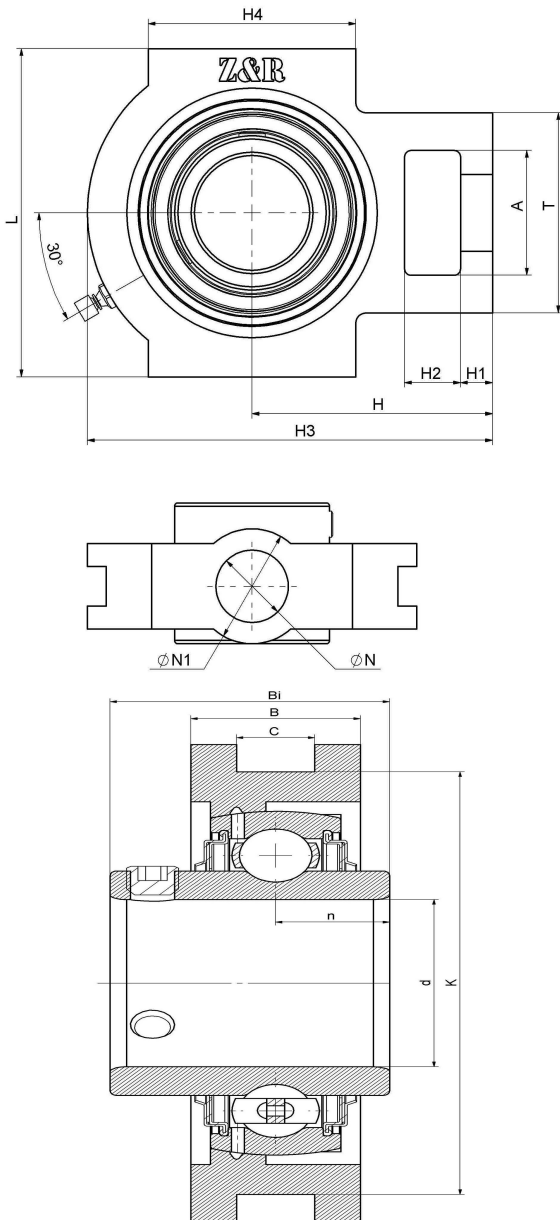




UCT 208-24 F

Slider bearing housing unit T type, Cast iron housing, Set screw locking spherical ball bearing, T type seal

技术信息



主要尺寸和性能参数

d	38.1mm	Inside diameter
K	102mm	Guide groove distance
L	114mm	Overall length
T	83mm	Height of bearing seat fixed side
A	49mm	Pocket height
n	19mm	channel distance
C	16mm	Guide groove width
B	33mm	Bearing seat width
Bi	49.2mm	Total width
H4	83mm	Guide groove length
H3	144mm	Whole length
H2	19mm	Pocket width
H1	16mm	Fixed link length
H	89mm	Axis distance
N	29mm	Fixing holes
N1	49mm	Width of bearing seat fixed side
≈m	2.35Kg	weight
UCT208-24F		Bearing Type
T208-24		Bearing seat model
M6*1		Oil injection hole
J7		Assembly torque
HT200		Bearing seat material

*数据表仅为所选产品的尺寸和基本额定载荷概览。请始终遵守本产品的所有更多信息和指南。您可通过我们网站上的联系表了解更多信息。

联系方式：邮箱：mr.suo@zrbearing.net

电话：0319-8509111

地址：河北省临西县城北环路北侧-中达轴承