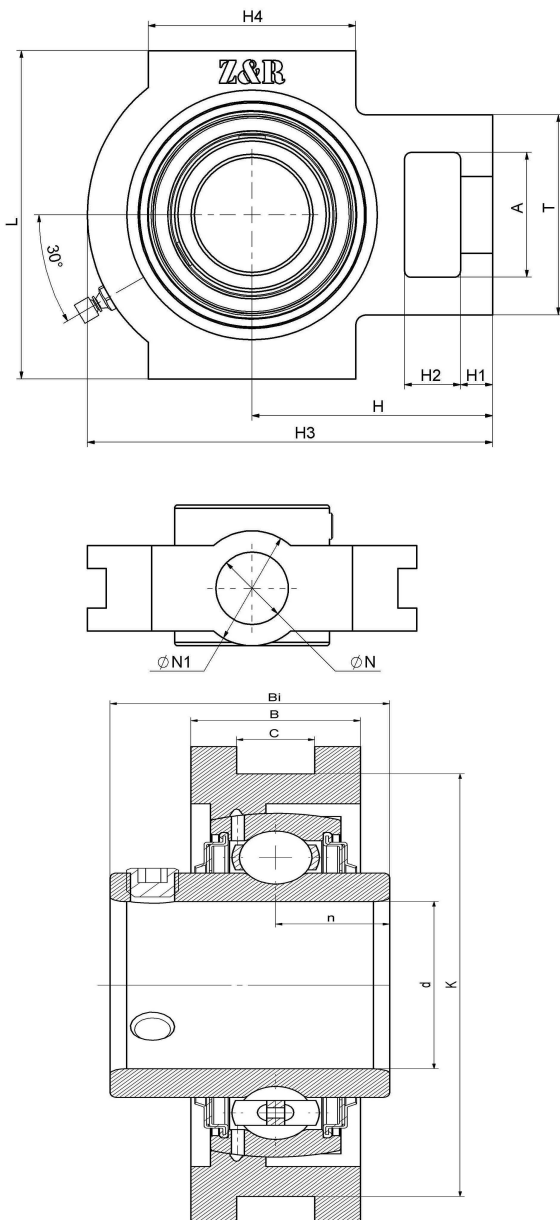




## UCT 213-40 F

Slider bearing housing unit T type, Cast iron housing, Set screw locking spherical ball bearing, T type seal

### 技术信息



### 主要尺寸和性能参数

d	63.5mm	Inside diameter
K	151mm	Guide groove distance
L	167mm	Overall length
T	111mm	Height of bearing seat fixed side
A	70mm	Pocket height
n	25.4mm	channel distance
C	26mm	Guide groove width
B	44mm	Bearing seat width
Bi	65.1mm	Total width
H4	121mm	Guide groove length
H3	224mm	Whole length
H2	32mm	Pocket width
H1	21mm	Fixed link length
H	137mm	Axis distance
N	41mm	Fixing holes
N1	70mm	Width of bearing seat fixed side
≈m	6.69Kg	weight
UC213-40F		Bearing Type
T213-40		Bearing seat model
M6*1		Oil injection hole
J7		Assembly torque
HT200		Bearing seat material

\*数据表仅为所选产品的尺寸和基本额定载荷概览。请始终遵守本产品的所有更多信息和指南。您可通过我们网站上的联系表了解更多信息。

联系方式: 邮箱: [mr.suo@zrbearing.net](mailto:mr.suo@zrbearing.net)

电话: 0319-8509111

地址: 河北省临西县城北环路北侧-中达轴承