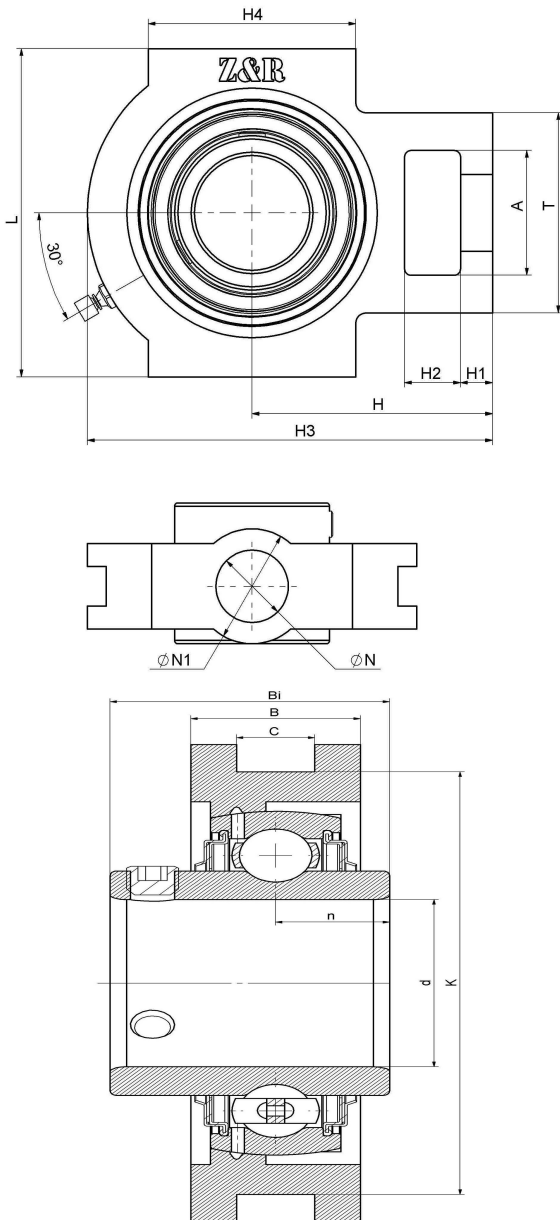




UCT 216-51 F

Slider bearing housing unit T type, Cast iron housing, Set screw locking spherical ball bearing, T type seal

技术信息



主要尺寸和性能参数

d	80.9625mm	Inside diameter
K	165mm	Guide groove distance
L	184mm	Overall length
T	111mm	Height of bearing seat fixed side
A	70mm	Pocket height
n	33.3mm	channel distance
C	26mm	Guide groove width
B	51mm	Bearing seat width
Bi	82.6mm	Total width
H4	121mm	Guide groove length
H3	235mm	Whole length
H2	32mm	Pocket width
H1	21mm	Fixed link length
H	140mm	Axis distance
N	41mm	Fixing holes
N1	70mm	Width of bearing seat fixed side
≈m	8Kg	weight
UCT216-51F		Bearing Type
T216-51		Bearing seat model
M6*1		Oil injection hole
J7		Assembly torque
HT200		Bearing seat material

*数据表仅为所选产品的尺寸和基本额定载荷概览。请始终遵守本产品的所有更多信息和指南。您可通过我们网站上的联系表了解更多信息。

联系方式: 邮箱: mr.suo@zrbearing.net

电话: 0319-8509111

地址: 河北省临西县城北环路北侧-中达轴承