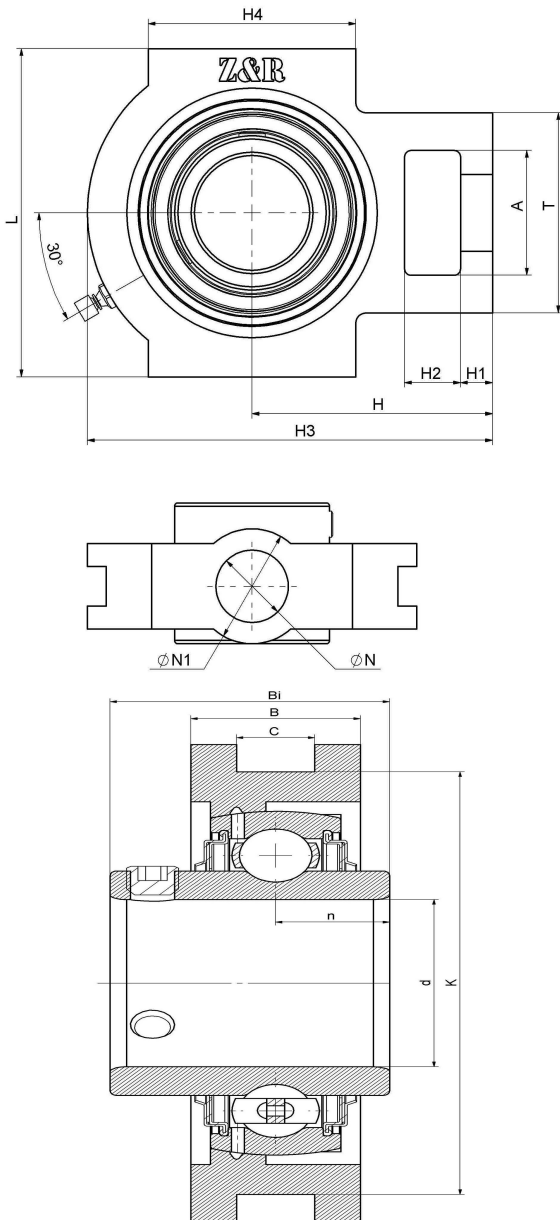




UCT 217 F

Slider bearing housing unit T type, Cast iron housing, Set screw locking spherical ball bearing, T type seal

技术信息



主要尺寸和性能参数

d	85mm	Inside diameter
K	173mm	Guide groove distance
L	198mm	Overall length
T	124mm	Height of bearing seat fixed side
A	73mm	Pocket height
n	34.1mm	channel distance
C	30mm	Guide groove width
B	54mm	Bearing seat width
Bi	85.7mm	Total width
H4	157mm	Guide groove length
H3	260mm	Whole length
H2	38mm	Pocket width
H1	29mm	Fixed link length
H	162mm	Axis distance
N	48mm	Fixing holes
N1	73mm	Width of bearing seat fixed side
≈m	10.66Kg	weight
UC217F		Bearing Type
T217		Bearing seat model
M6*1		Oil injection hole
J7		Assembly torque
HT200		Bearing seat material

*数据表仅为所选产品的尺寸和基本额定载荷概览。请始终遵守本产品的所有更多信息和指南。您可通过我们网站上的联系表了解更多信息。

联系方式：邮箱：mr.suo@zrbearing.net

电话：0319-8509111

地址：河北省临西县城北环路北侧-中达轴承