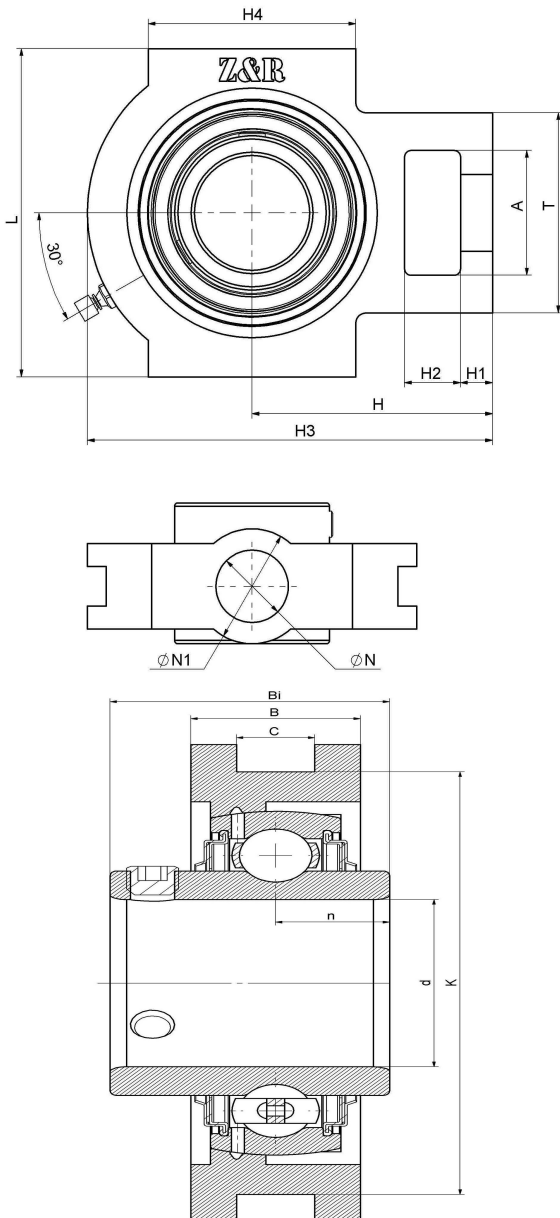




## UCT 218-56 F

Slider bearing housing unit T type, Cast iron housing, Set screw locking spherical ball bearing, T type seal

### 技术信息



### 主要尺寸和性能参数

d	88.9mm	Inside diameter
K	190mm	Guide groove distance
L	215mm	Overall length
T	130mm	Height of bearing seat fixed side
A	80mm	Pocket height
n	39.7mm	channel distance
C	30mm	Guide groove width
B	55mm	Bearing seat width
Bi	96mm	Total width
H4	140mm	Guide groove length
H3	275mm	Whole length
H2	40mm	Pocket width
H1	30mm	Fixed link length
H	170mm	Axis distance
N	48mm	Fixing holes
N1	80mm	Width of bearing seat fixed side
≈m	12.3Kg	weight
UCT218-56F		Bearing Type
T218-56		Bearing seat model
M6*1		Oil injection hole
J7		Assembly torque
HT200		Bearing seat material

\*数据表仅为所选产品的尺寸和基本额定载荷概览。请始终遵守本产品的所有更多信息和指南。您可通过我们网站上的联系表了解更多信息。

联系方式：邮箱：[mr.suo@zrbearing.net](mailto:mr.suo@zrbearing.net)

电话：0319-8509111

地址：河北省临西县城北环路北侧-中达轴承