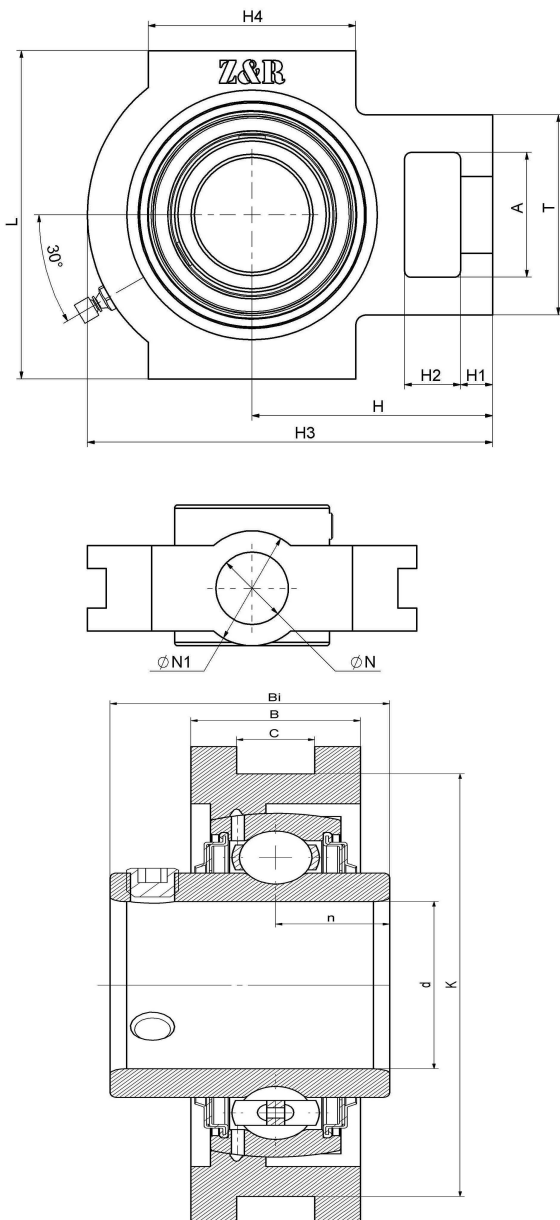




UCT 310-29 F

Slider bearing housing unit T type, Cast iron housing, Set screw locking spherical ball bearing, T type seal

技术信息



主要尺寸和性能参数

| | | |
|-----------|-----------|-----------------------------------|
| d | 46.0375mm | Inside diameter |
| K | 140mm | Guide groove distance |
| L | 151mm | Overall length |
| T | 98mm | Height of bearing seat fixed side |
| A | 61mm | Pocket height |
| n | 22mm | channel distance |
| C | 20mm | Guide groove width |
| B | 40mm | Bearing seat width |
| Bi | 61mm | Total width |
| H4 | 106mm | Guide groove length |
| H3 | 192mm | Whole length |
| H2 | 27mm | Pocket width |
| H1 | 22mm | Fixed link length |
| H | 118mm | Axis distance |
| N | 37mm | Fixing holes |
| N1 | 61mm | Width of bearing seat fixed side |
| ≈m | 5Kg | weight |
| UC310-29F | | Bearing Type |
| T310-29 | | Bearing seat model |
| M6*1 | | Oil injection hole |
| J7 | | Assembly torque |
| HT200 | | Bearing seat material |

*数据表仅为所选产品的尺寸和基本额定载荷概览。请始终遵守本产品的所有更多信息和指南。您可通过我们网站上的联系表了解更多信息。

联系方式: 邮箱: mr.suo@zrbearing.net

电话: 0319-8509111

地址: 河北省临西县城北环路北侧-中达轴承