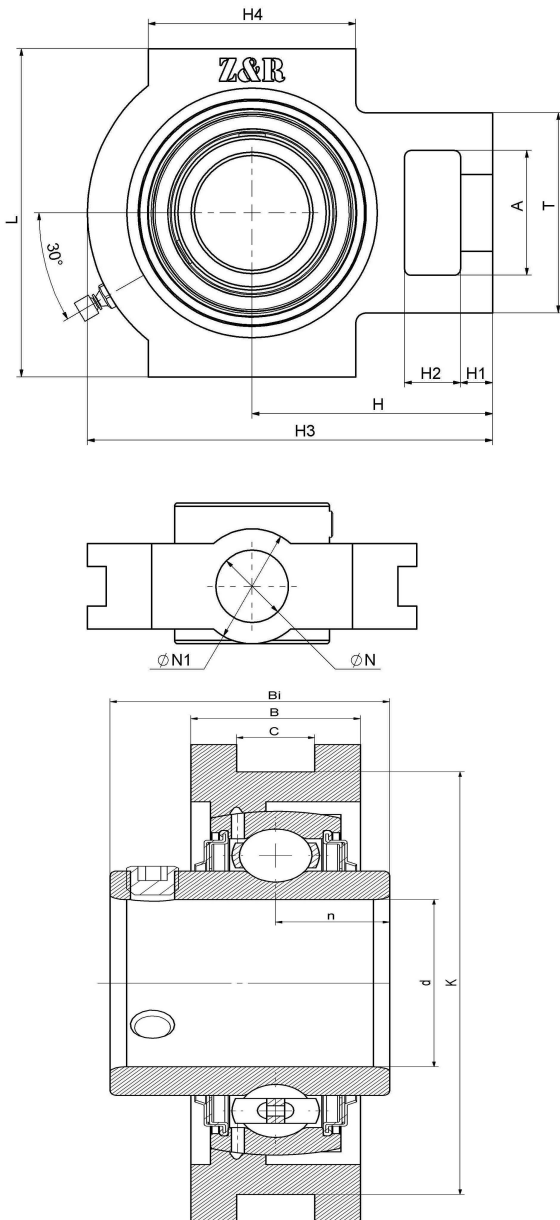




### UCT 311-34 F

Slider bearing housing unit T type, Cast iron housing, Set screw locking spherical ball bearing, T type seal

### 技术信息



### 主要尺寸和性能参数

d	53.975mm	Inside diameter
K	150mm	Guide groove distance
L	163mm	Overall length
T	105mm	Height of bearing seat fixed side
A	66mm	Pocket height
n	25mm	channel distance
C	22mm	Guide groove width
B	44mm	Bearing seat width
Bi	66mm	Total width
H4	115mm	Guide groove length
H3	208mm	Whole length
H2	29mm	Pocket width
H1	23mm	Fixed link length
H	127mm	Axis distance
N	39mm	Fixing holes
N1	66mm	Width of bearing seat fixed side
≈m	6.2Kg	weight
UC311-34F		Bearing Type
T311-34		Bearing seat model
M6*1		Oil injection hole
J7		Assembly torque
HT200		Bearing seat material

\*数据表仅为所选产品的尺寸和基本额定载荷概览。请始终遵守本产品的所有更多信息和指南。您可通过我们网站上的联系表了解更多信息。

联系方式: 邮箱: [mr.suo@zrbearing.net](mailto:mr.suo@zrbearing.net)

电话: 0319-8509111

地址: 河北省临西县城北环路北侧-中达轴承