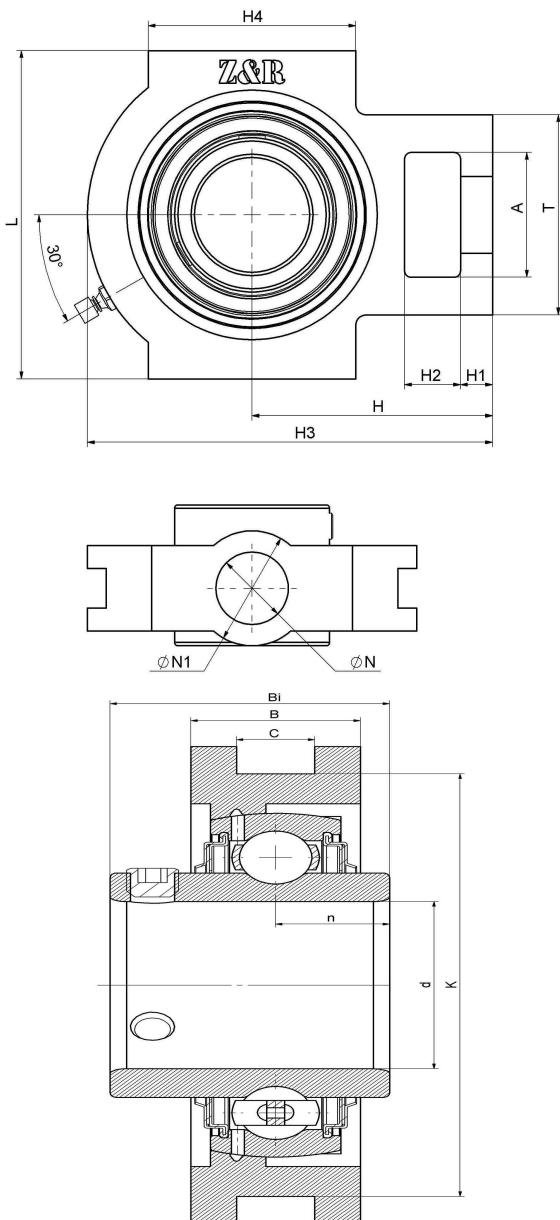




## UCT 316 F

Slider bearing housing unit T type, Cast iron housing, Set screw locking spherical ball bearing, T type seal

### 技术信息



### 主要尺寸和性能参数

d	80mm	Inside diameter
K	204mm	Guide groove distance
L	230mm	Overall length
T	150mm	Height of bearing seat fixed side
A	98mm	Pocket height
n	34mm	channel distance
C	30mm	Guide groove width
B	60mm	Bearing seat width
Bi	86mm	Total width
H4	160mm	Guide groove length
H3	282mm	Whole length
H2	42mm	Pocket width
H1	30mm	Fixed link length
H	174mm	Axis distance
N	53mm	Fixing holes
N1	102mm	Width of bearing seat fixed side
≈m	15.8Kg	weight
UC316F		Bearing Type
T316		Bearing seat model
M6*1		Oil injection hole
J7		Assembly torque
HT200		Bearing seat material

\*数据表仅为所选产品的尺寸和基本额定载荷概览。请始终遵守本产品的所有更多信息和指南。您可通过我们网站上的联系表了解更多信息。

联系方式：邮箱：[mr.suo@zrbearing.net](mailto:mr.suo@zrbearing.net)

电话：0319-8509111

地址：河北省临西县城北环路北侧-中达轴承