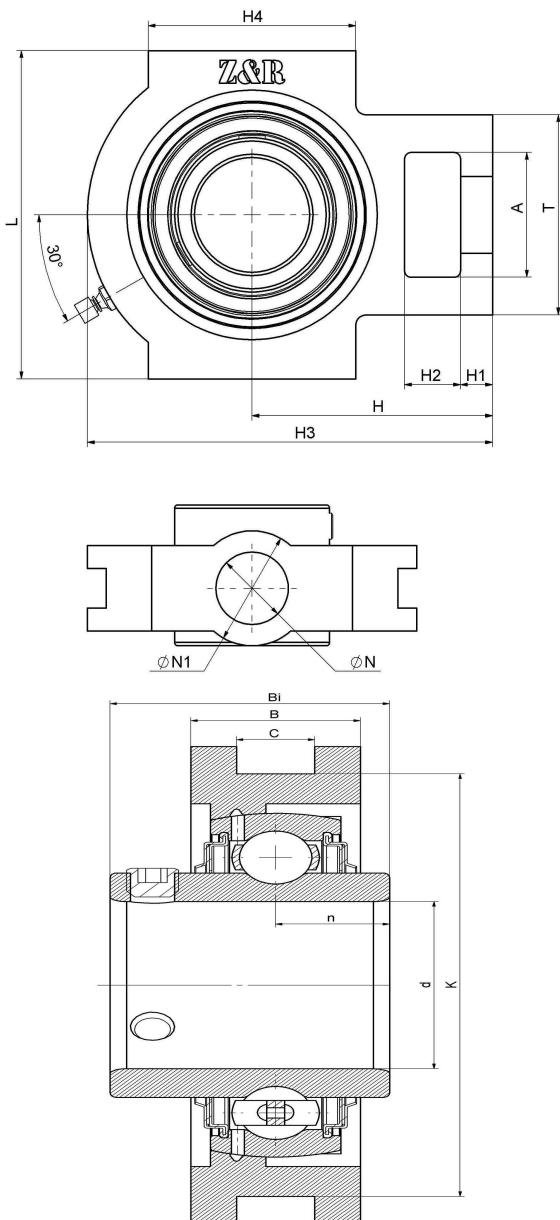




UCT 319-59 F

Slider bearing housing unit T type, Cast iron housing, Set screw locking spherical ball bearing, T type seal

技术信息



主要尺寸和性能参数

d	93.6625mm	Inside diameter
K	240mm	Guide groove distance
L	270mm	Overall length
T	165mm	Height of bearing seat fixed side
A	106mm	Pocket height
n	41mm	channel distance
C	35mm	Guide groove width
B	72mm	Bearing seat width
Bi	103mm	Total width
H4	180mm	Guide groove length
H3	322mm	Whole length
H2	46mm	Pocket width
H1	33mm	Fixed link length
H	197mm	Axis distance
N	57mm	Fixing holes
N1	110mm	Width of bearing seat fixed side
≈m	24.6Kg	weight
UC319-59F		Bearing Type
T319-59		Bearing seat model
M6*1		Oil injection hole
J7		Assembly torque
HT200		Bearing seat material

*数据表仅为所选产品的尺寸和基本额定载荷概览。请始终遵守本产品的所有更多信息和指南。您可通过我们网站上的联系表了解更多信息。

联系方式: 邮箱: mr.suo@zrbearing.net

电话: 0319-8509111

地址: 河北省临西县城北环路北侧-中达轴承