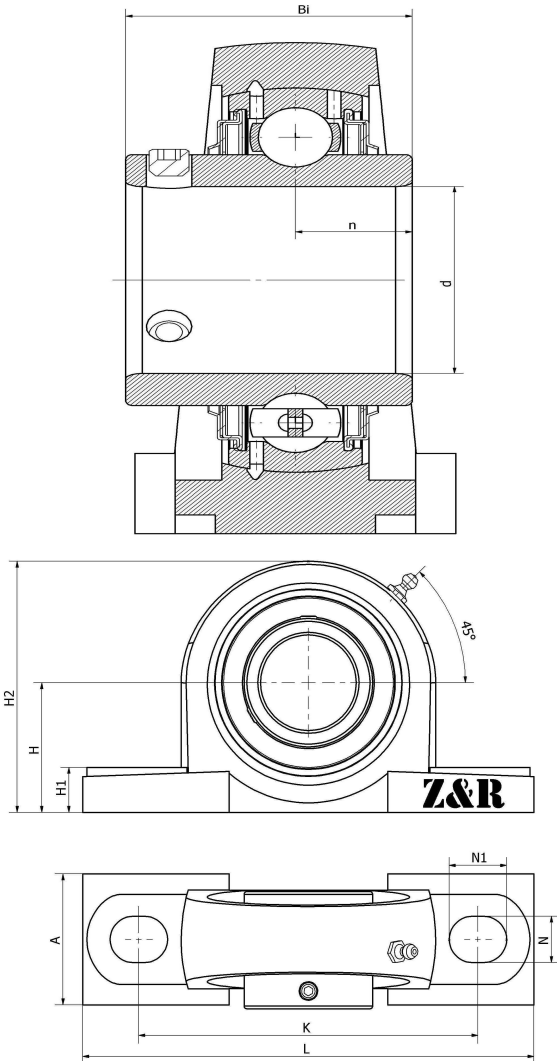




UCP 203 F

Plummer block housing unit P type, Cast iron housing, Set screw locking spherical ball bearing, F type seal

技术信息



主要尺寸和性能参数

d	17mm	Inside diameter
H	30.2mm	Center height
H1	14mm	Base height
H2	62mm	Overall height
A	38mm	Base width
N	13mm	Mounting hole length
N1	19mm	Mounting hole width
L	127mm	Overall length
K	95mm	Fixed hole distance
Bi	31mm	Total width
n	12.7mm	channel distance
	M10	Bolt size
≈m	0.63Kg	weight
	UC203	Bearing Type
	P203	Bearing seat model
	M6*1	Oil injection hole
	J6	Assembly torque
	HT200	Bearing seat material

*数据表仅为所选产品的尺寸和基本额定载荷概览。请始终遵守本产品的所有更多信息和指南。您可通过我们网站上的联系表了解更多信息。