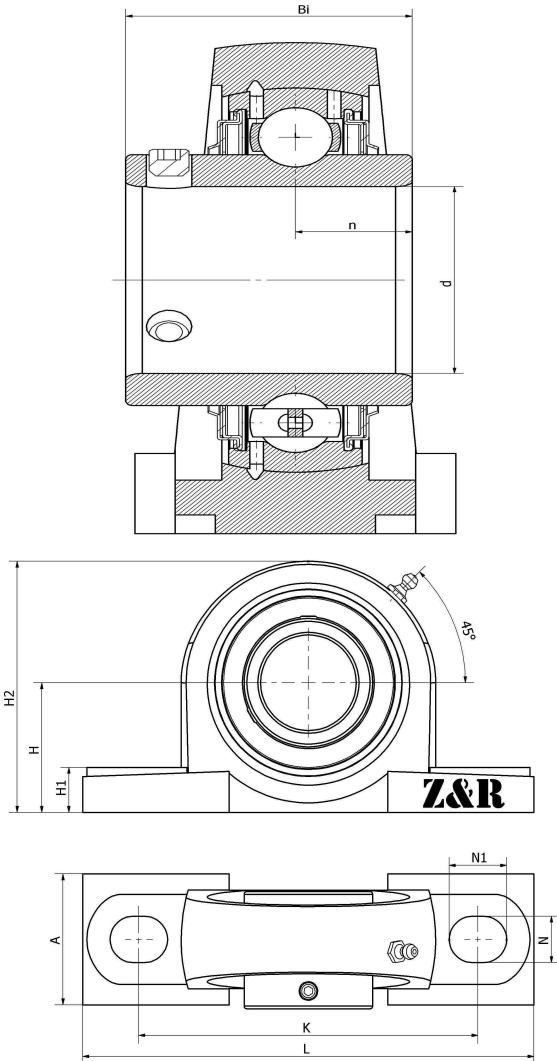




## UCP 205-15 F

Plummer block housing unit P type, Cast iron housing, Set screw locking spherical ball bearing, F type seal

### 技术信息



### 主要尺寸和性能参数

d	23.8125mm	Inside diameter
H	36.5mm	Center height
H1	15mm	Base height
H2	71mm	Overall height
A	38mm	Base width
N	13mm	Mounting hole length
N1	19mm	Mounting hole width
L	140mm	Overall length
K	105mm	Fixed hole distance
Bi	34.1mm	Total width
n	14.3mm	channel distance
	M10	Bolt size
≈m	0.77Kg	weight
	UC205-15	Bearing Type
	P205-15	Bearing seat model
	M6*1	Oil injection hole
	J6	Assembly torque
	HT200	Bearing seat material

\*数据表仅为所选产品的尺寸和基本额定载荷概览。请始终遵守本产品的所有更多信息和指南。您可通过我们网站上的联系表了解更多信息。