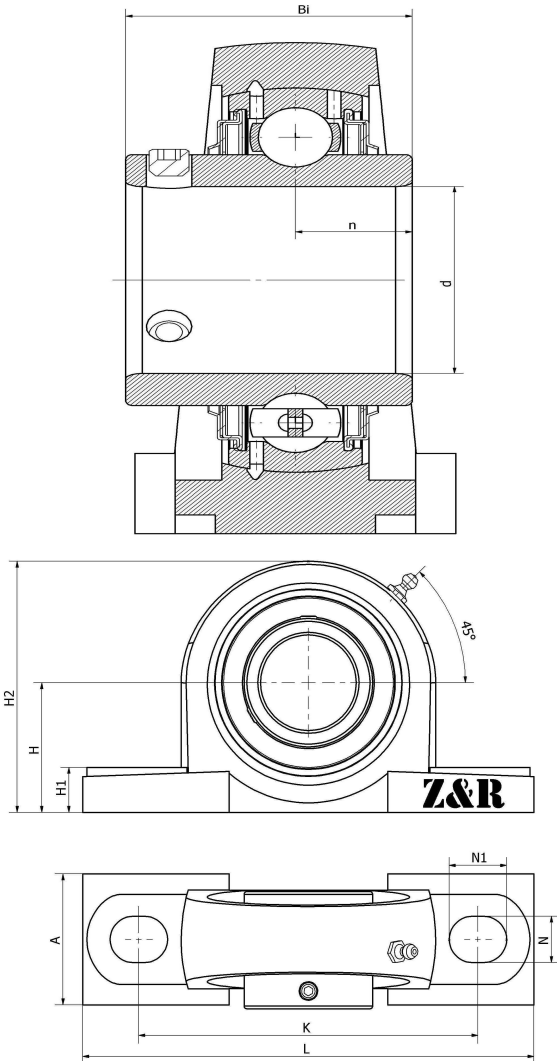




UCP 209-27 F

Plummer block housing unit P type, Cast iron housing, Set screw locking spherical ball bearing, F type seal

技术信息



主要尺寸和性能参数

d	42.8625mm	Inside diameter
H	54mm	Center height
H1	20mm	Base height
H2	106mm	Overall height
A	54mm	Base width
N	17mm	Mounting hole length
N1	23mm	Mounting hole width
L	190mm	Overall length
K	146mm	Fixed hole distance
Bi	49.2mm	Total width
n	19mm	channel distance
	M14	Bolt size
≈m	2.12Kg	weight
	UC209-27	Bearing Type
	P209-27	Bearing seat model
	M6*1	Oil injection hole
	J6	Assembly torque
	HT200	Bearing seat material

*数据表仅为所选产品的尺寸和基本额定载荷概览。请始终遵守本产品的所有更多信息和指南。您可通过我们网站上的联系表了解更多信息。