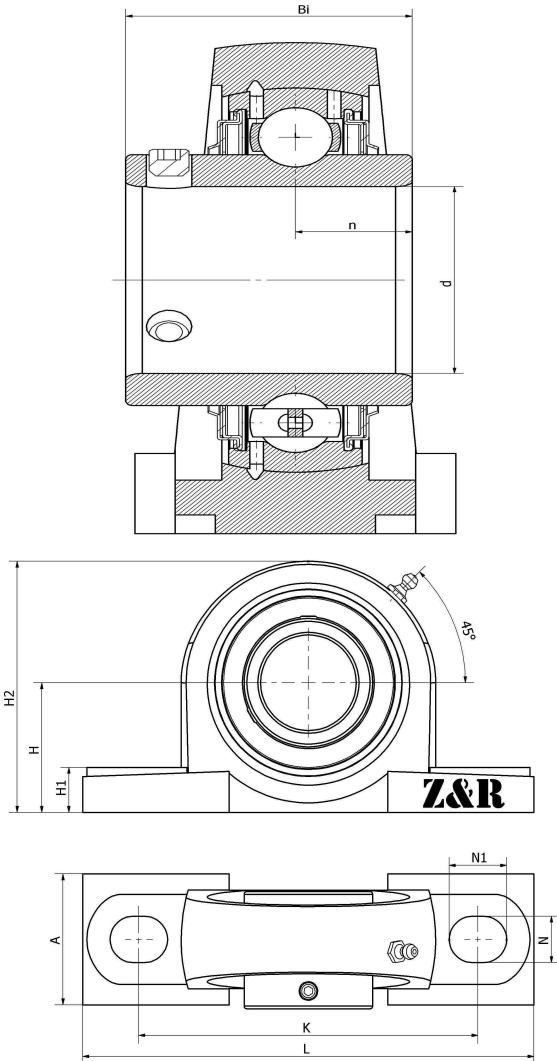




UCP 210-29 F

Plummer block housing unit P type, Cast iron housing, Set screw locking spherical ball bearing, F type seal

技术信息



主要尺寸和性能参数

d	46.0375mm	Inside diameter
H	57.2mm	Center height
H1	21mm	Base height
H2	113mm	Overall height
A	60mm	Base width
N	20mm	Mounting hole length
N1	23mm	Mounting hole width
L	206mm	Overall length
K	159mm	Fixed hole distance
Bi	51.6mm	Total width
n	19mm	channel distance
	M16	Bolt size
≈m	2.73Kg	weight
	UC210-29	Bearing Type
	P210-29	Bearing seat model
	M6*1	Oil injection hole
	J6	Assembly torque
	HT200	Bearing seat material

*数据表仅为所选产品的尺寸和基本额定载荷概览。请始终遵守本产品的所有更多信息和指南。您可通过我们网站上的联系表了解更多信息。