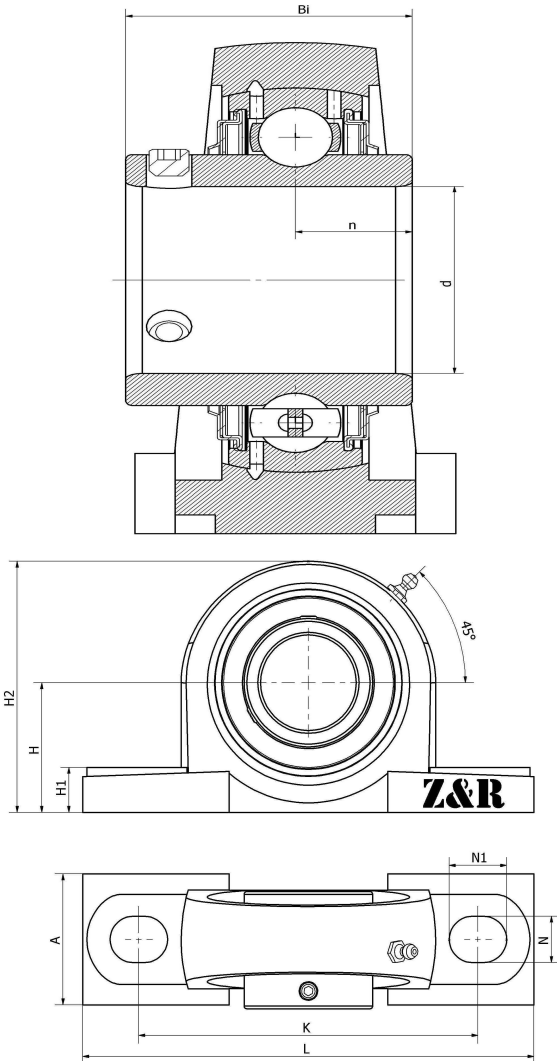




UCP 212-38 F

Plummer block housing unit P type, Cast iron housing, Set screw locking spherical ball bearing, F type seal

技术信息



主要尺寸和性能参数

d	60.325mm	Inside diameter
H	76.2mm	Center height
H1	27mm	Base height
H2	150mm	Overall height
A	70mm	Base width
N	25mm	Mounting hole length
N1	28mm	Mounting hole width
L	265mm	Overall length
K	203mm	Fixed hole distance
Bi	65.1mm	Total width
n	25.4mm	channel distance
	M20	Bolt size
≈m	4.42Kg	weight
	UC212-38	Bearing Type
	P212-38	Bearing seat model
	M6*1	Oil injection hole
	J6	Assembly torque
	HT200	Bearing seat material

*数据表仅为所选产品的尺寸和基本额定载荷概览。请始终遵守本产品的所有更多信息和指南。您可通过我们网站上的联系表了解更多信息。