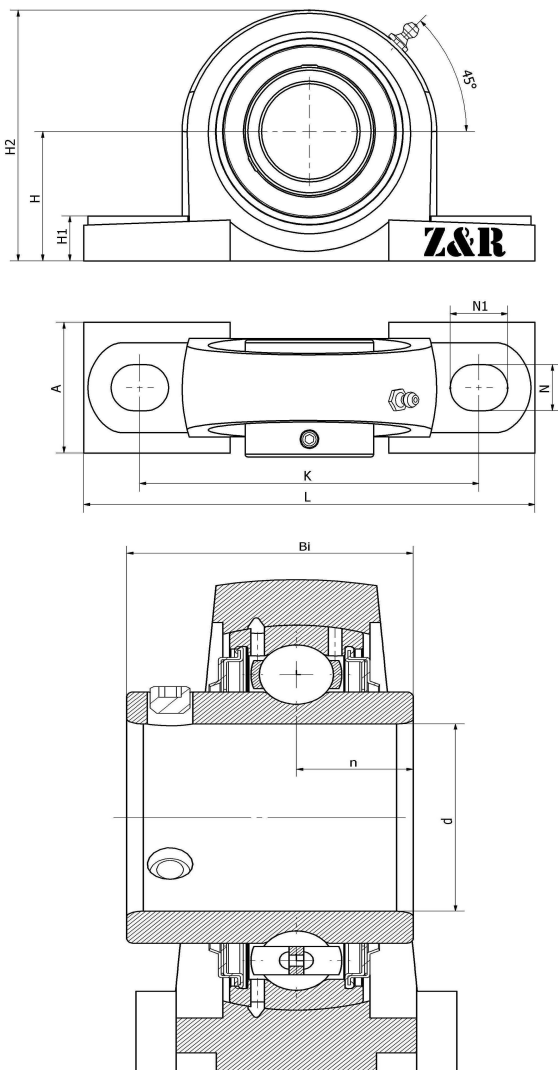


## UCP 214-42 F

Plummer block housing unit P type, Cast iron housing, Set screw locking spherical ball bearing, F type seal

### 技术信息



#### 主要尺寸和性能参数

d	66.675mm	Inside diameter
H	79.4mm	Center height
H1	27mm	Base height
H2	156mm	Overall height
A	72mm	Base width
N	25mm	Mounting hole length
N1	28mm	Mounting hole width
L	266mm	Overall length
K	210mm	Fixed hole distance
Bi	74.6mm	Total width
n	30.2mm	channel distance
	M20	Bolt size
≈m	6.07Kg	weight
	UC214-42	Bearing Type
	P214-42	Bearing seat model
	M6*1	Oil injection hole
	J6	Assembly torque
	HT200	Bearing seat material

\*数据表仅为所选产品的尺寸和基本额定载荷概览。请始终遵守本产品的所有更多信息和指南。您可通过我们网站上的联系表了解更多信息。