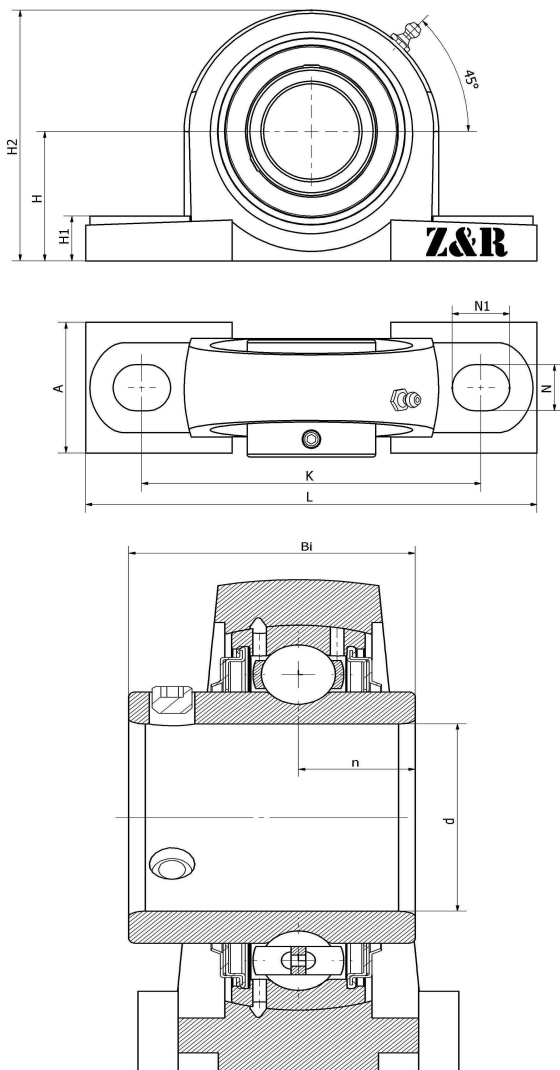




UCP 214-43 F

Plummer block housing unit P type, Cast iron housing, Set screw locking spherical ball bearing, F type seal

技术信息



主要尺寸和性能参数

| | | |
|----|-----------|-----------------------|
| d | 68.2625mm | Inside diameter |
| H | 79.4mm | Center height |
| H1 | 27mm | Base height |
| H2 | 156mm | Overall height |
| A | 72mm | Base width |
| N | 25mm | Mounting hole length |
| N1 | 28mm | Mounting hole width |
| L | 266mm | Overall length |
| K | 210mm | Fixed hole distance |
| Bi | 74.6mm | Total width |
| n | 30.2mm | channel distance |
| | M20 | Bolt size |
| ≈m | 5.97Kg | weight |
| | UC214-43 | Bearing Type |
| | P214-43 | Bearing seat model |
| | M6*1 | Oil injection hole |
| | J6 | Assembly torque |
| | HT200 | Bearing seat material |

*数据表仅为所选产品的尺寸和基本额定载荷概览。请始终遵守本产品的所有更多信息和指南。您可通过我们网站上的联系表了解更多信息。