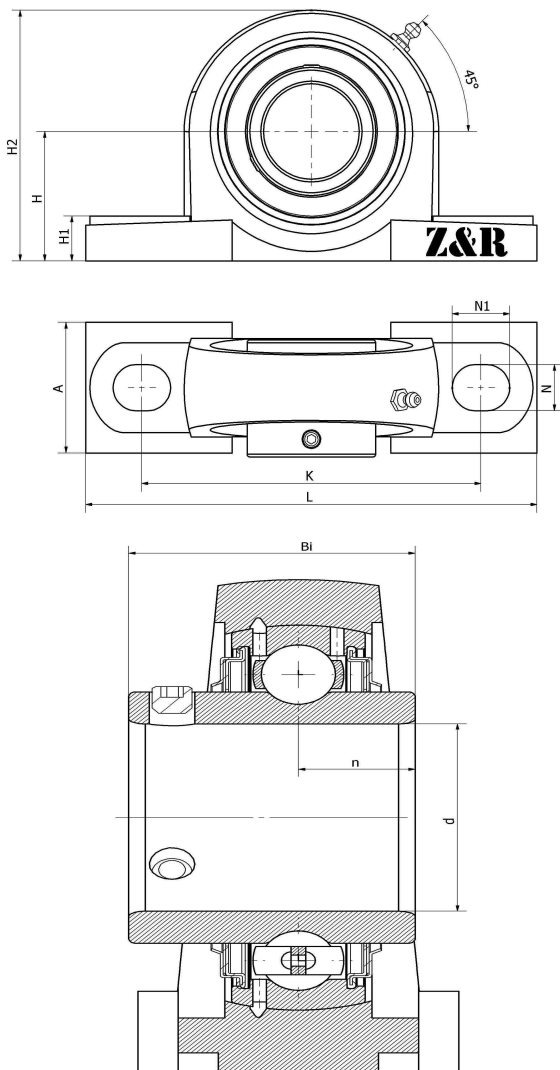




## UCP 305-13 F

Plummer block housing unit P type, Cast iron housing, Set screw locking spherical ball bearing, F type seal

### 技术信息



#### 主要尺寸和性能参数

d	20.6375mm	Inside diameter
H	45mm	Center height
H1	15mm	Base height
H2	85mm	Overall height
A	45mm	Base width
N	17mm	Mounting hole length
N1	20mm	Mounting hole width
L	175mm	Overall length
K	132mm	Fixed hole distance
Bi	38mm	Total width
n	15mm	channel distance
	M14	Bolt size
≈m	1.32Kg	weight
	UC305-13	Bearing Type
	P305-13	Bearing seat model
	M6*1	Oil injection hole
	J6	Assembly torque
	HT200	Bearing seat material

\*数据表仅为所选产品的尺寸和基本额定载荷概览。请始终遵守本产品的所有更多信息和指南。您可通过我们网站上的联系表了解更多信息。