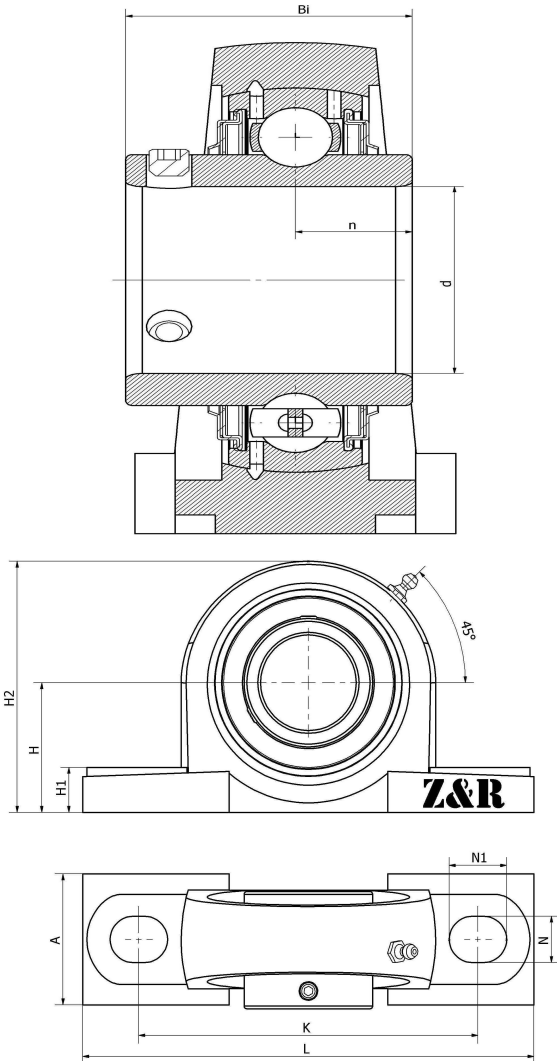




## UCP 314 F

Plummer block housing unit P type, Cast iron housing, Set screw locking spherical ball bearing, F type seal

### 技术信息



### 主要尺寸和性能参数

d	70mm	Inside diameter
H	95mm	Center height
H1	35mm	Base height
H2	187mm	Overall height
A	90mm	Base width
N	27mm	Mounting hole length
N1	40mm	Mounting hole width
L	360mm	Overall length
K	280mm	Fixed hole distance
Bi	78mm	Total width
n	33mm	channel distance
	M22	Bolt size
≈m	12.04Kg	weight
	UC314	Bearing Type
	P314	Bearing seat model
	M6*1	Oil injection hole
	J6	Assembly torque
	HT200	Bearing seat material

\*数据表仅为所选产品的尺寸和基本额定载荷概览。请始终遵守本产品的所有更多信息和指南。您可通过我们网站上的联系表了解更多信息。