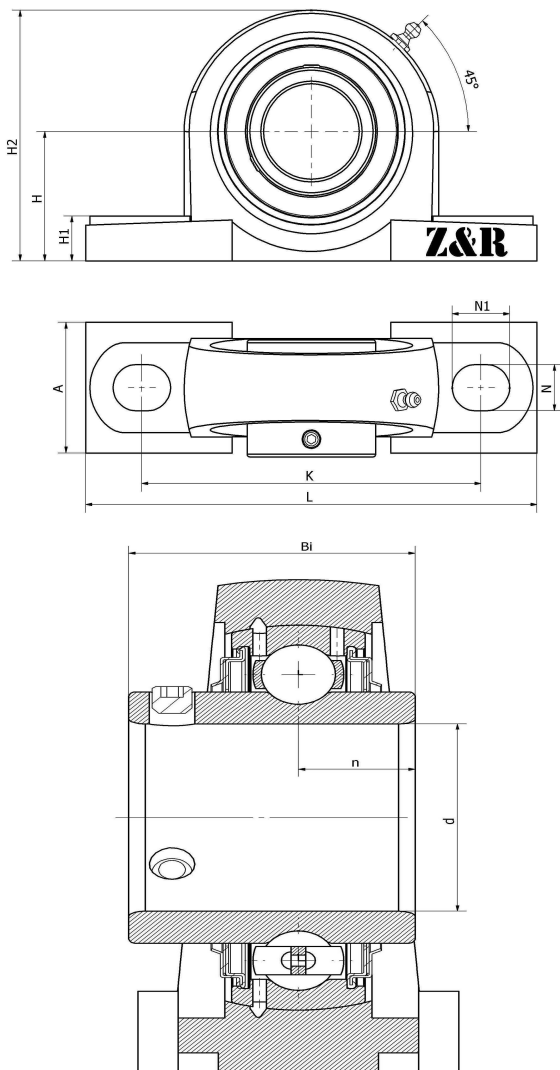




UCP 315-46 F

Plummer block housing unit P type, Cast iron housing, Set screw locking spherical ball bearing, F type seal

技术信息



主要尺寸和性能参数

| | | |
|----|----------|-----------------------|
| d | 73.025mm | Inside diameter |
| H | 100mm | Center height |
| H1 | 35mm | Base height |
| H2 | 198mm | Overall height |
| A | 100mm | Base width |
| N | 27mm | Mounting hole length |
| N1 | 40mm | Mounting hole width |
| L | 380mm | Overall length |
| K | 290mm | Fixed hole distance |
| Bi | 82mm | Total width |
| n | 32mm | channel distance |
| | M22 | Bolt size |
| ≈m | 14.64Kg | weight |
| | UC315-46 | Bearing Type |
| | P315-46 | Bearing seat model |
| | M6*1 | Oil injection hole |
| | J6 | Assembly torque |
| | HT200 | Bearing seat material |

*数据表仅为所选产品的尺寸和基本额定载荷概览。请始终遵守本产品的所有更多信息和指南。您可通过我们网站上的联系表了解更多信息。