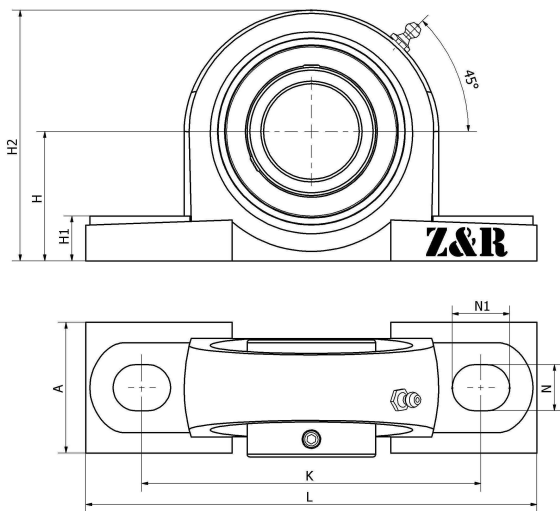




UCP 317-55 F

Plummer block housing unit P type, Cast iron housing, Set screw locking spherical ball bearing, F type seal

技术信息



主要尺寸和性能参数

d	87.3125mm	Inside diameter
H	112mm	Center height
H1	40mm	Base height
H2	220mm	Overall height
A	110mm	Base width
N	33mm	Mounting hole length
N1	45mm	Mounting hole width
L	420mm	Overall length
K	320mm	Fixed hole distance
Bi	96mm	Total width
n	40mm	channel distance
	M27	Bolt size
≈m	19.33Kg	weight
	UC317-55	Bearing Type
	P317-55	Bearing seat model
	M6*1	Oil injection hole
	J6	Assembly torque
	HT200	Bearing seat material

*数据表仅为所选产品的尺寸和基本额定载荷概览。请始终遵守本产品的所有更多信息和指南。您可通过我们网站上的联系表了解更多信息。