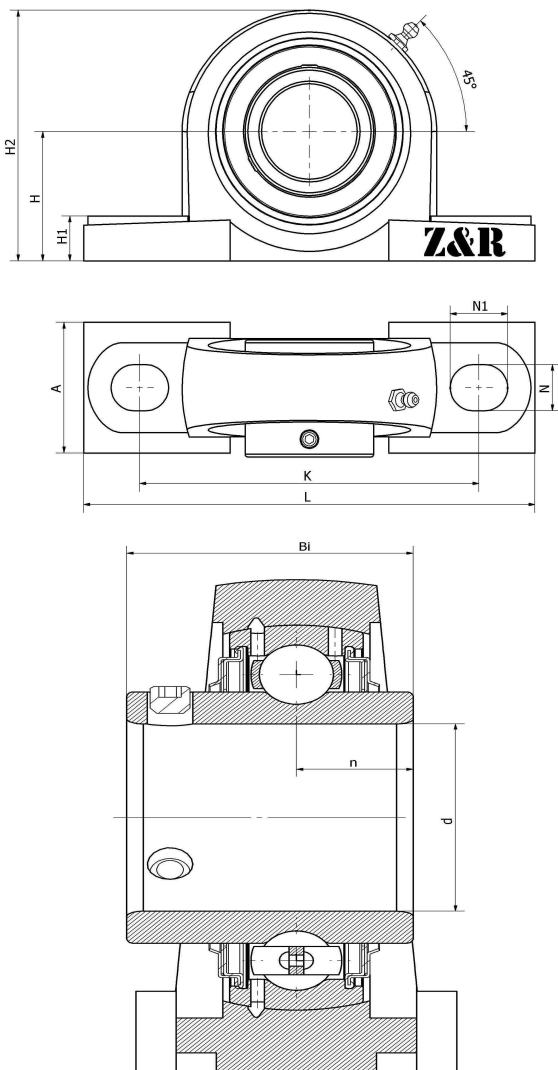


## UCP 326 F

Plummer block housing unit P type, Cast iron housing, Set screw locking spherical ball bearing, F type seal

### 技术信息



#### 主要尺寸和性能参数

d	130mm	Inside diameter
H	180mm	Center height
H1	75mm	Base height
H2	355mm	Overall height
A	140mm	Base width
N	40mm	Mounting hole length
N1	55mm	Mounting hole width
L	600mm	Overall length
K	480mm	Fixed hole distance
Bi	135mm	Total width
n	54mm	channel distance
	M33	Bolt size
≈m	71.48Kg	weight
	UC326	Bearing Type
	P326	Bearing seat model
	M6*1	Oil injection hole
	J6	Assembly torque
	HT200	Bearing seat material

\*数据表仅为所选产品的尺寸和基本额定载荷概览。请始终遵守本产品的所有更多信息和指南。您可通过我们网站上的联系表了解更多信息。