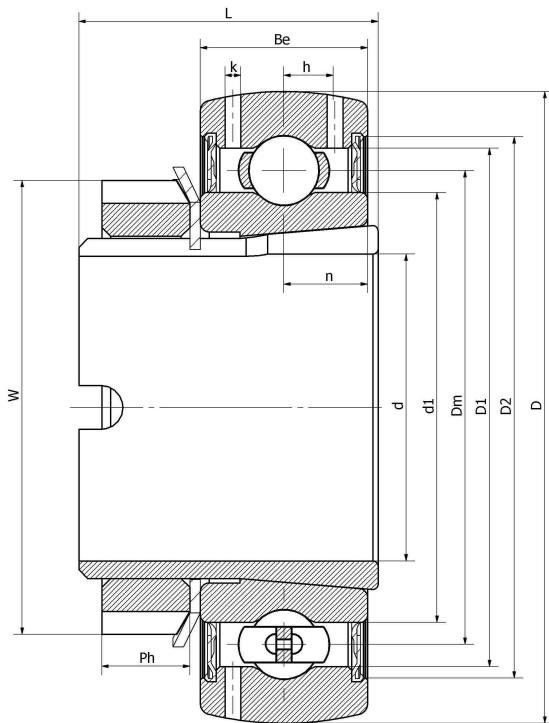


GSH45-XL-2RSR-B

Insert spherical bearings, eccentric sleeve locked outer spherical bearings, three-layer sealed outer spherical bearings

技术信息



主要尺寸和性能参数

d	45mm	Inside diameter
D	85mm	Outside diameter
W	62mm	Eccentric sleeve outer diameter
Be	22mm	Outer ring height
h	6.4mm	Oil hole distance
n	18mm	channel distance
L	46mm	total height
Ph	10mm	Eccentric sleeve height
Cr	31000N	Radial static load rating
Cor	20100N	Radial dynamic load rating
Pu	1050N	Fatigue load limit
≈m	0.69Kg	weight

*数据表仅为所选产品的尺寸和基本额定载荷概览。请始终遵守本产品的所有更多信息和指南。您可通过我们网站上的联系表了解更多信息。