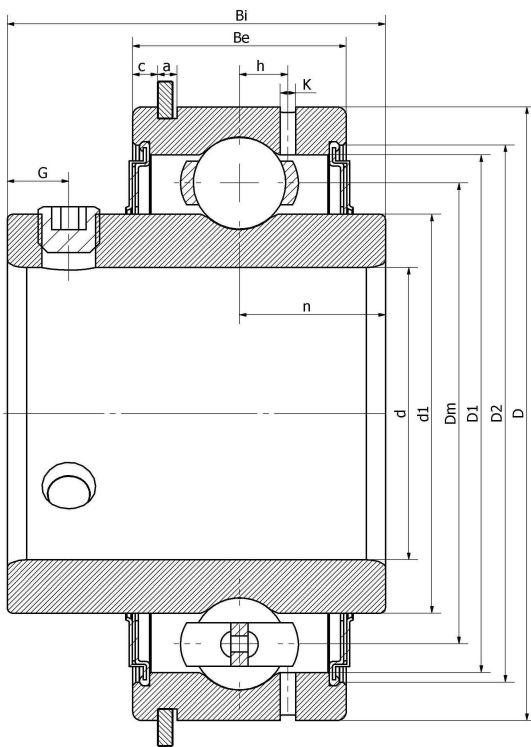




SER 209-27B/G/L2/C12/G2--F

Insert bearings, eccentric sleeve locked outer spherical bearings, three-layer sealed outer spherical bearings

技术信息



主要尺寸和性能参数

d	42.862mm	Inside diameter
D	85mm	Outside diameter
d1	登录可见尺寸, 去登录	Outer diameter innering
Dm	66mm	Center diameter
D1	登录可见尺寸, 去登录	Outer ring inner diameter
D2	登录可见尺寸, 去登录	Seal groove diameter
Be	27.8mm	Outer ring height
h	6.5mm	Oil hole distance
k	1.9mm	Oil hole diameter
n	19mm	channel distance
Bi	49.2mm	Inner ring height
G	8mm	Set screw hole distance
(UNF)	5/16-24	Set screw specifications
Cr	32800N	Radial static load rating
Cor	20700N	Radial dynamic load rating
≈m	0.85Kg	weight

*数据表仅为所选产品的尺寸和基本额定载荷概览。请始终遵守本产品的所有更多信息和指南。您可通过我们网站上的联系表了解更多信息。