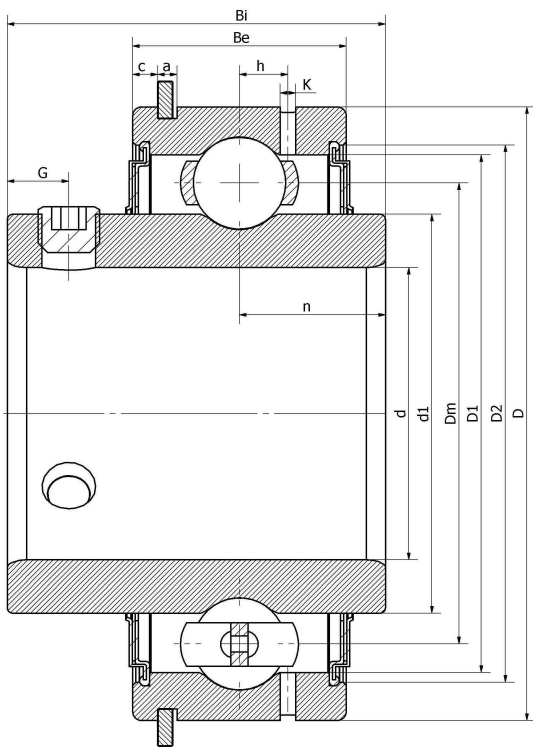




SER 210B/G/L2/C12/G2--F

Insert bearings, eccentric sleeve locked outer spherical bearings, three-layer sealed outer spherical bearings

技术信息



主要尺寸和性能参数

| | | |
|-------|-------------|----------------------------|
| d | 50mm | Inside diameter |
| D | 100mm | Outside diameter |
| d1 | 登录可见尺寸, 去登录 | Outer diameter innering |
| Dm | 77.5mm | Center diameter |
| D1 | 登录可见尺寸, 去登录 | Outer ring inner diameter |
| D2 | 登录可见尺寸, 去登录 | Seal groove diameter |
| Be | 30.2mm | Outer ring height |
| h | 7.2mm | Oil hole distance |
| k | 1.8mm | Oil hole diameter |
| n | 22.2mm | channel distance |
| Bi | 55.6mm | Inner ring height |
| G | 9mm | Set screw hole distance |
| (UNF) | M10*1.25 | Set screw specifications |
| Cr | 43100N | Radial static load rating |
| Cor | 29200N | Radial dynamic load rating |
| ≈m | 1.2Kg | weight |

*数据表仅为所选产品的尺寸和基本额定载荷概览。请始终遵守本产品的所有更多信息和指南。您可通过我们网站上的联系表了解更多信息。