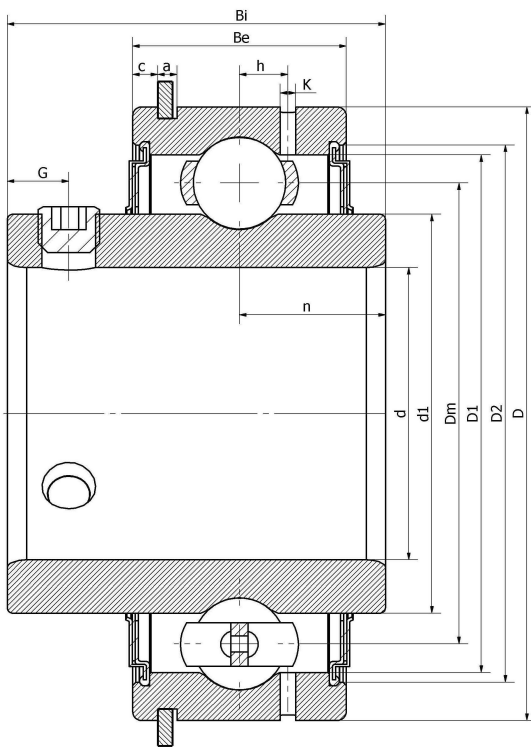




## SER 215B/G/L2/C12/G2--F

Insert bearings, eccentric sleeve locked outer spherical bearings, three-layer sealed outer spherical bearings

### 技术信息



#### 主要尺寸和性能参数

d	75mm	Inside diameter
D	130mm	Outside diameter
d1	登录可见尺寸, 去登录	Outer diameter innering
Dm	102.5mm	Center diameter
D1	登录可见尺寸, 去登录	Outer ring inner diameter
D2	登录可见尺寸, 去登录	Seal groove diameter
Be	38.1mm	Outer ring height
h	8.5mm	Oil hole distance
k	2mm	Oil hole diameter
n	33.3mm	channel distance
Bi	77.8mm	Inner ring height
G	12mm	Set screw hole distance
(UNF)	M12*1.25	Set screw specifications
Cr	66200N	Radial static load rating
Cor	49500N	Radial dynamic load rating
≈m	2.55Kg	weight

\*数据表仅为所选产品的尺寸和基本额定载荷概览。请始终遵守本产品的所有更多信息和指南。您可通过我们网站上的联系表了解更多信息。