

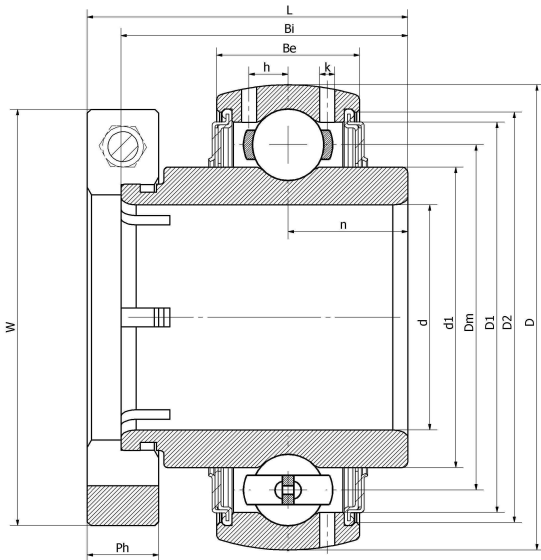


NC 207-23 T/G/V3/ERT--F

Insert bearings, eccentric sleeve locked outer spherical bearings, three-layer sealed outer spherical bearings

GR207

技术信息



主要尺寸和性能参数

| | | |
|-------|-------------|---------------------------------|
| d | 36.513mm | Inside diameter |
| D | 72mm | Outside diameter |
| d1 | 登录可见尺寸, 去登录 | Outer diameter innering |
| Dm | 53.5mm | Center diameter |
| D1 | 登录可见尺寸, 去登录 | Outer ring inner diameter |
| D2 | 登录可见尺寸, 去登录 | Seal groove diameter |
| W | 55.6mm | Eccentric sleeve outer diameter |
| Be | 50mm | Outer ring height |
| h | 5.8mm | Oil hole distance |
| k | 1.8mm | Oil hole diameter |
| n | 17.5mm | channel distance |
| Bi | 42.9mm | Inner ring height |
| L | 56.4mm | total height |
| Ph | 17.5mm | Eccentric sleeve height |
| (UNF) | 5/16-24 | Set screw specifications |
| Cr | 25800N | Radial static load rating |
| Cor | 15200N | Radial dynamic load rating |
| ≈m | 0.5Kg | weight |

联系方式: 邮箱: mr.suo@zrbearing.net

电话: 0319-8509111

地址: 河北省临西县城北环路北侧-中达轴承