

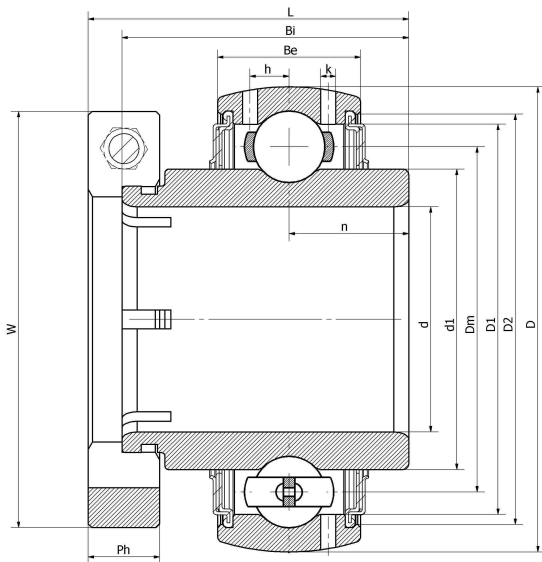


## NC 207 T/G/V3/ERT--F

Insert bearings, eccentric sleeve locked outer spherical bearings, three-layer sealed outer spherical bearings

GR207

### 技术信息



#### 主要尺寸和性能参数

d	35mm	Inside diameter
D	72mm	Outside diameter
d1	登录可见尺寸, 去登录	Outer diameter innering
Dm	53.5mm	Center diameter
D1	登录可见尺寸, 去登录	Outer ring inner diameter
D2	登录可见尺寸, 去登录	Seal groove diameter
W	55.6mm	Eccentric sleeve outer diameter
Be	50mm	Outer ring height
h	5.8mm	Oil hole distance
k	1.8mm	Oil hole diameter
n	17.5mm	channel distance
Bi	42.9mm	Inner ring height
L	56.4mm	total height
Ph	17.5mm	Eccentric sleeve height
(UNF)	M8*1	Set screw specifications
Cr	25800N	Radial static load rating
Cor	15200N	Radial dynamic load rating
≈m	0.5Kg	weight

联系方式: 邮箱: [mr.suo@zrbearing.net](mailto:mr.suo@zrbearing.net)

电话: 0319-8509111

地址: 河北省临西县城北环路北侧-中达轴承