

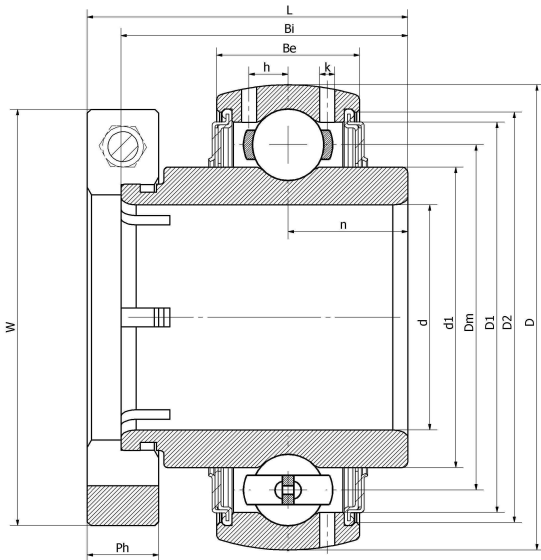


NC 208-23 T/G/V3/ERT--F

Insert bearings, eccentric sleeve locked outer spherical bearings, three-layer sealed outer spherical bearings

GR208

技术信息



主要尺寸和性能参数

d	36.513mm	Inside diameter
D	80mm	Outside diameter
d1	登录可见尺寸, 去登录	Outer diameter innering
Dm	60mm	Center diameter
D1	登录可见尺寸, 去登录	Outer ring inner diameter
D2	登录可见尺寸, 去登录	Seal groove diameter
W	60.3mm	Eccentric sleeve outer diameter
Be	21mm	Outer ring height
h	6.4mm	Oil hole distance
k	1.9mm	Oil hole diameter
n	19mm	channel distance
Bi	49.2mm	Inner ring height
L	62.7mm	total height
Ph	18.3mm	Eccentric sleeve height
(UNF)	5/16-24	Set screw specifications
Cr	29300N	Radial static load rating
Cor	18200N	Radial dynamic load rating
≈m	0.7Kg	weight

联系方式: 邮箱: mr.suo@zrbearing.net

电话: 0319-8509111

地址: 河北省临西县城北环路北侧-中达轴承