

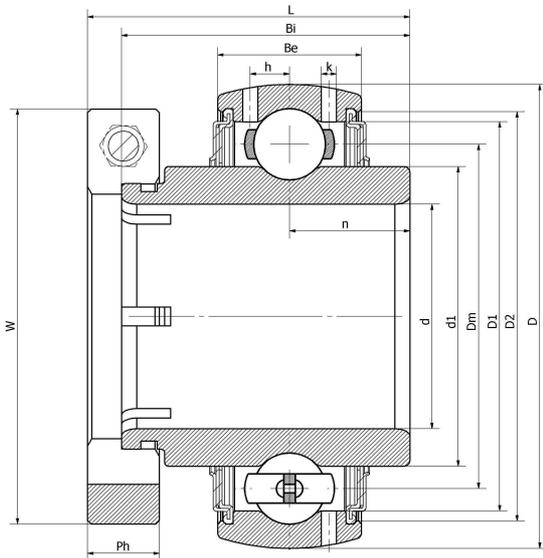


## NC 210-27T/G/V3/ERT--F

Insert bearings, eccentric sleeve locked outer spherical bearings, three-layer sealed outer spherical bearings

GR210

### 技术信息



#### 主要尺寸和性能参数

|       |             |                                 |
|-------|-------------|---------------------------------|
| d     | 43.863mm    | Inside diameter                 |
| D     | 90mm        | Outside diameter                |
| d1    | 登录可见尺寸, 去登录 | Outer diameter innering         |
| Dm    | 70mm        | Center diameter                 |
| D1    | 登录可见尺寸, 去登录 | Outer ring inner diameter       |
| D2    | 登录可见尺寸, 去登录 | Seal groove diameter            |
| W     | 69.9mm      | Eccentric sleeve outer diameter |
| Be    | 23mm        | Outer ring height               |
| h     | 6.8mm       | Oil hole distance               |
| k     | 2mm         | Oil hole diameter               |
| n     | 19mm        | channel distance                |
| Bi    | 51.6mm      | Inner ring height               |
| L     | 65.1mm      | total height                    |
| Ph    | 18.3mm      | Eccentric sleeve height         |
| (UNF) | 5/16-24     | Set screw specifications        |
| Cr    | 35300N      | Radial static load rating       |
| Cor   | 23200N      | Radial dynamic load rating      |
| ≈m    | 0.85Kg      | weight                          |

联系方式: 邮箱: [mr.suo@zrbearing.net](mailto:mr.suo@zrbearing.net)

电话: 0319-8509111

地址: 河北省临西县城北环路北侧-中达轴承