

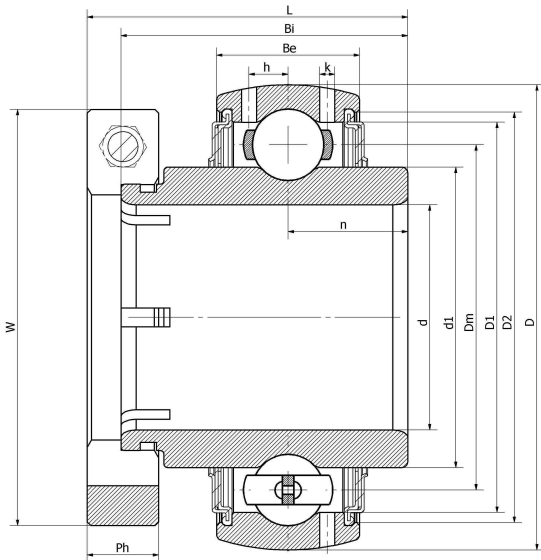


NC 210-28T/G/V3/ERT--F

Insert bearings, eccentric sleeve locked outer spherical bearings, three-layer sealed outer spherical bearings

GR210

技术信息



主要尺寸和性能参数

d	44.45mm	Inside diameter
D	90mm	Outside diameter
d1	登录可见尺寸, 去登录	Outer diameter innering
Dm	70mm	Center diameter
D1	登录可见尺寸, 去登录	Outer ring inner diameter
D2	登录可见尺寸, 去登录	Seal groove diameter
W	69.9mm	Eccentric sleeve outer diameter
Be	23mm	Outer ring height
h	6.8mm	Oil hole distance
k	2mm	Oil hole diameter
n	19mm	channel distance
Bi	51.6mm	Inner ring height
L	65.1mm	total height
Ph	18.3mm	Eccentric sleeve height
(UNF)	5/16-24	Set screw specifications
Cr	35300N	Radial static load rating
Cor	23200N	Radial dynamic load rating
≈m	0.85Kg	weight

联系方式: 邮箱: mr.suo@zrbearing.net

电话: 0319-8509111

地址: 河北省临西县城北环路北侧-中达轴承