

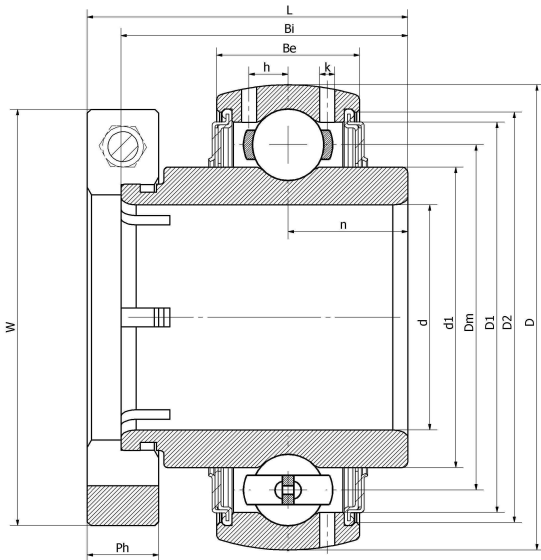


## NC 212-36T/G/V3/ERT--F

Insert bearings, eccentric sleeve locked outer spherical bearings, three-layer sealed outer spherical bearings

GR212

### 技术信息



#### 主要尺寸和性能参数

d	57.15mm	Inside diameter
D	110mm	Outside diameter
d1	登录可见尺寸, 去登录	Outer diameter innering
Dm	85mm	Center diameter
D1	登录可见尺寸, 去登录	Outer ring inner diameter
D2	登录可见尺寸, 去登录	Seal groove diameter
W	84.2mm	Eccentric sleeve outer diameter
Be	27mm	Outer ring height
h	8.2mm	Oil hole distance
k	1.8mm	Oil hole diameter
n	25.4mm	channel distance
Bi	65.1mm	Inner ring height
L	84.2mm	total height
Ph	22.3mm	Eccentric sleeve height
(UNF)	3/8-24	Set screw specifications
Cr	52500N	Radial static load rating
Cor	22000N	Radial dynamic load rating
≈m	1.5Kg	weight

联系方式: 邮箱: [mr.suo@zrbearing.net](mailto:mr.suo@zrbearing.net)

电话: 0319-8509111

地址: 河北省临西县城北环路北侧-中达轴承